

data sheet

model DM100

DYNAMax

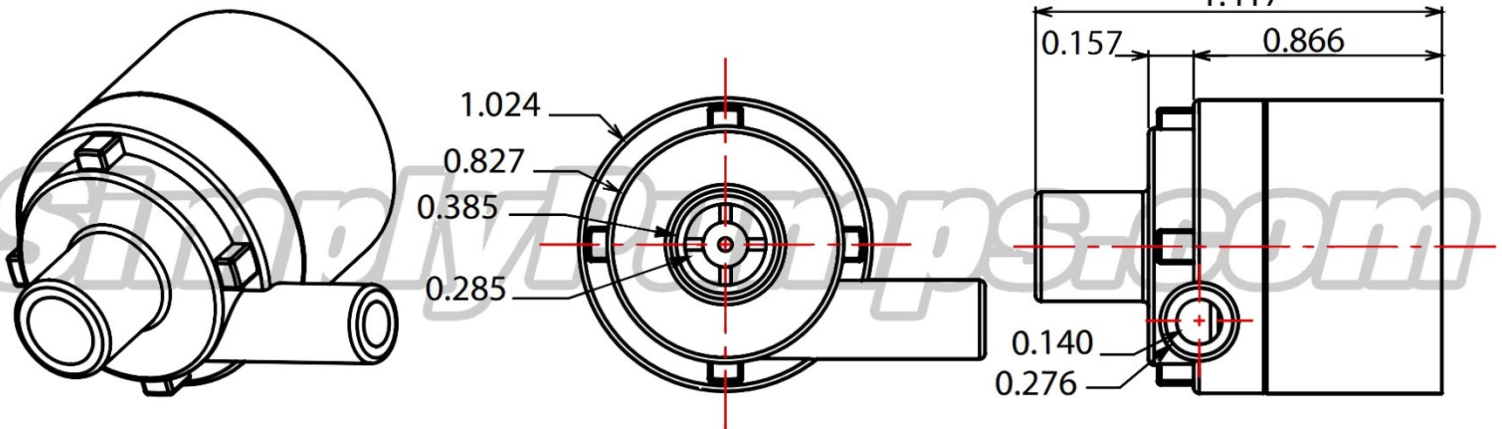
pump series™

Features

- Accepts 6 to 12 VDC input voltage
- Brushless motor with internal driver
- Quiet and extremely durable
- 20,000 hour life expectancy
- Magnetically coupled impeller
- Can be submersed or used in-line
- Removable screen for in-line use
- Specifications can be customized
- Long life ceramic impeller shaft
- Our smallest magnetic drive pump

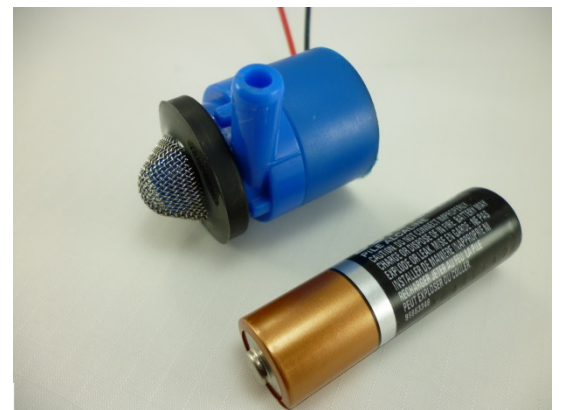


Dimensions



Specifications

- 12 VDC - 0.35 amps – 4.2 watt
- Flow Rate: 24 GPH or 2.3 l/min
- 0.375" inlet tubing, inlet ID 0.270", OD 0.375"
- 0.250" outlet tubing, outlet ID 0.170", OD 0.268"
- Weight: 1.0 ounces
- Lead wires: UL2464 - AWG24 - 39 inches long



SimplyPumps.com™

724-864-5959