

data sheet

model DM212VS

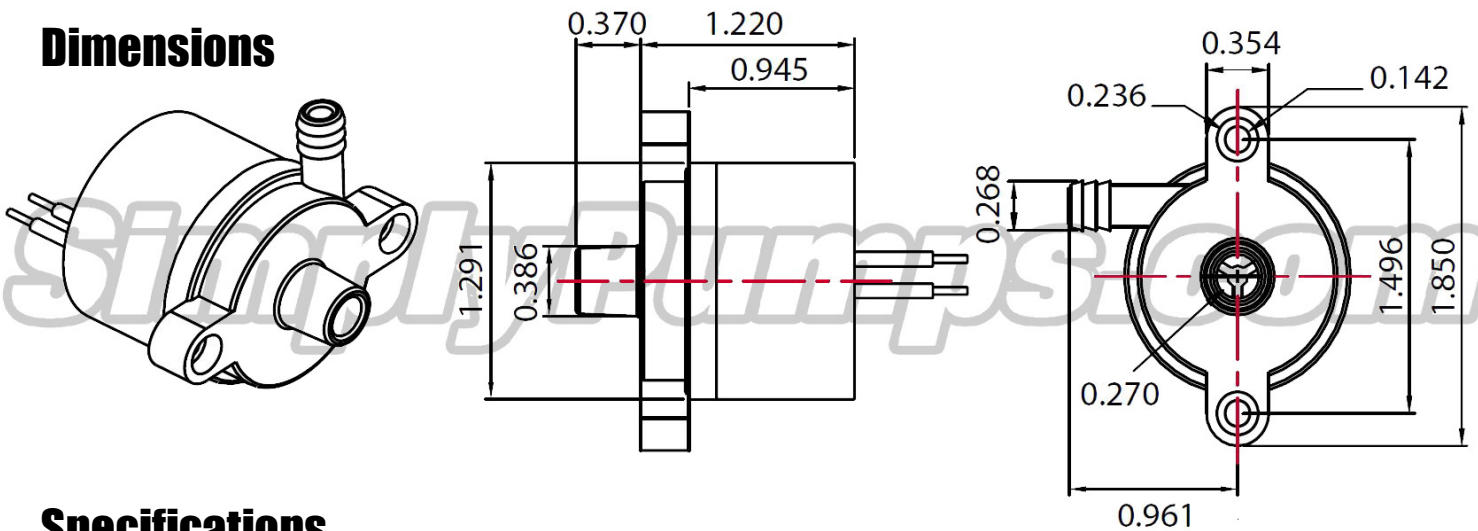
DYNAMax pump series™

Features

- Long life brushless motor
- External variable speed flow controller
- Quiet and extremely durable
- 20,000 hour life expectancy
- Magnetically coupled impeller
- Can be submersed or used in-line
- Removable screen for in-line use
- Specifications can be customized
- Long life ceramic impeller shaft
- 36 inch 22 AWG lead between pump and controller

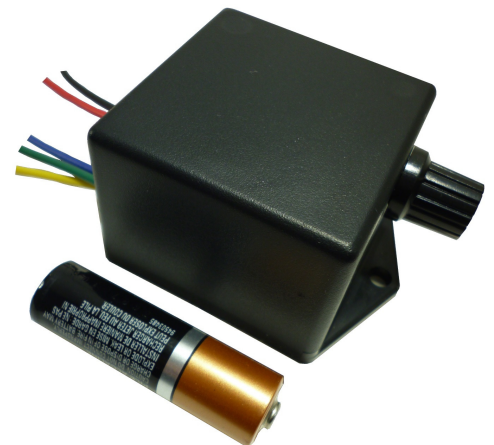


Dimensions



Specifications

- 12 VDC - 0.5 amps – 6.0 watt
- Flow rate: 37 GPH or 2.4 l/min
- 0.375" inlet tubing, inlet ID 0.270", OD 0.375"
- 0.250" outlet tubing, outlet ID 0.170", OD 0.268"
- Weight pump: 1.9 ounces, controller: 2.0 ounces
- Controller dimensions: 3.000 x 2.100 x 1.500 inches
- 20 AWG power leads 10 inches long



PO BOX 677 Manor PA 15665 724 864 5959

Specifications are subject to change without notice. No liability or warranty implied by this information. Copyright © 2018 Simply Pumps
Revised 2/24/18 R2