

data sheet

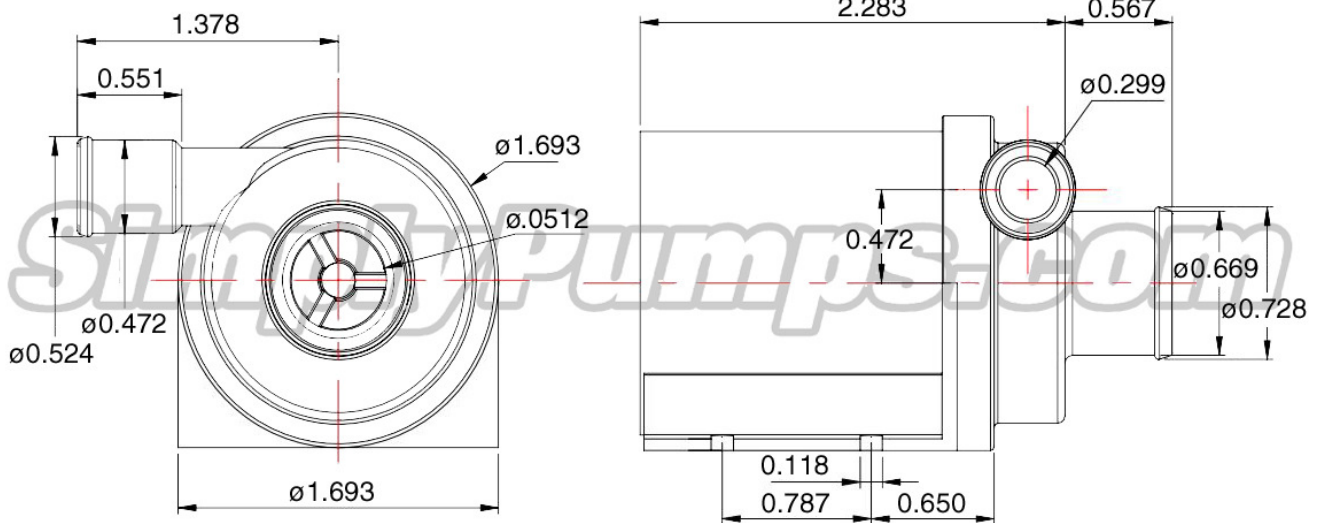
model DM412VS

DYNAMax pump series™

Features

- Long life brushless motor
- External controller
- Potentiometer speed control
- Quiet and extremely durable
- 20,000 hour life expectancy
- Magnetically coupled impeller
- Ceramic impeller shaft
- Can be submersed or used in-line
- 39 Inch 24 AWG leads pump to controller
- Removable inlet screen for use in-line

Dimensions



Specifications

- 12 VDC - 0.9 amps – 11 watt
- Flow rate: 150 GPH or 9.45 l/min
- 0.625" - 5/8" inlet tubing, inlet ID 0.530"
- 0.4375" – 7/16" outlet tubing, outlet ID 0.315"
- Weight: 8.2 ounces including controller
- Pump dimensions: 2.800 x 1.660 x 1.680 inches
- Controller dimensions: 2.750 x 1.750 x 0.750 inches



PO BOX 677 Manor PA 15665 724 864 5959

Specifications are subject to change without notice. No liability or warranty implied by this information. Copyright © 2017 Simply Pumps
Revised 1/21/17 R1