

data sheet

model DM412VSA

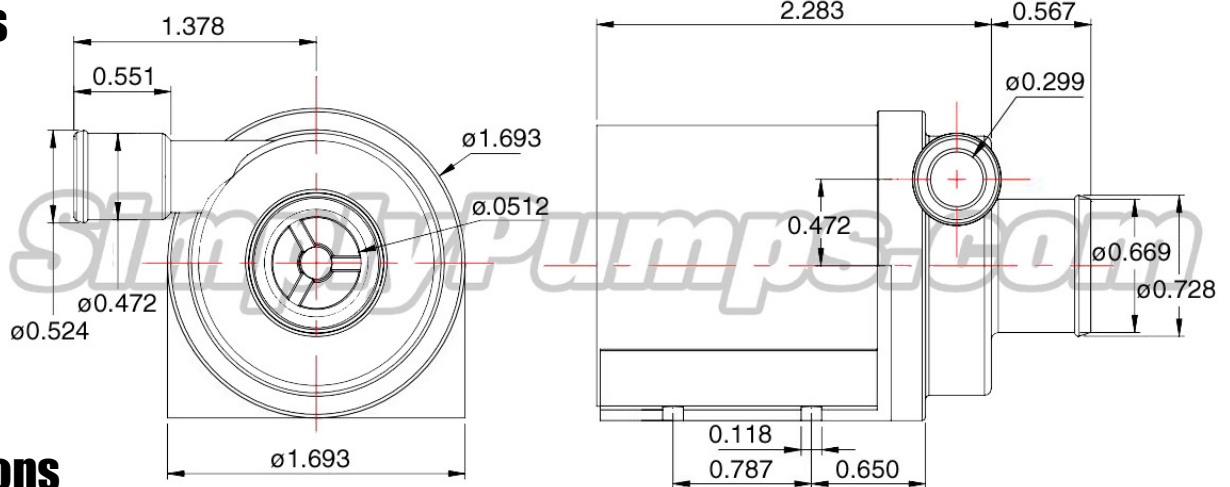
DYNAMAX pump series™

Features

- Brushless motor external controller
- Arduino compatible
- Variable speed flow using 5 VDC analog
- Quiet and extremely durable
- 20,000 hour life expectancy
- Magnetically coupled impeller
- Long life ceramic impeller shaft
- Can be submersed or used in-line
- Removable screen for in-line use
- 39" 24 AWG leads pump to controller
- Speed RPM feedback wire



Dimensions



Specifications

- 12 VDC - 0.9 amps – 11 watt
- Flow rate: 150 GPH or 9.45 l/min
- 0.625" - 5/8" inlet tubing, inlet ID 0.530"
- 0.4375" – 7/16" outlet tubing, outlet ID 0.315"
- Weight pump: 8.2 ounces, controller: 2.0 ounces
- Controller dimensions: 2.187 x 1.375 x 0.625 inches
- 22 AWG power leads 10 inches long
- Green wire: 0 to 5 VDC analog input
- Yellow wire: speed RPM feedback if needed
- Green and red wire share common ground



PO BOX 677 Manor PA 15665 724 864 5959

Specifications are subject to change without notice. No liability or warranty implied by this information. Copyright © 2017 Simply Pumps
Revised 1/21/17 R1