

data sheet

model DM412VSA

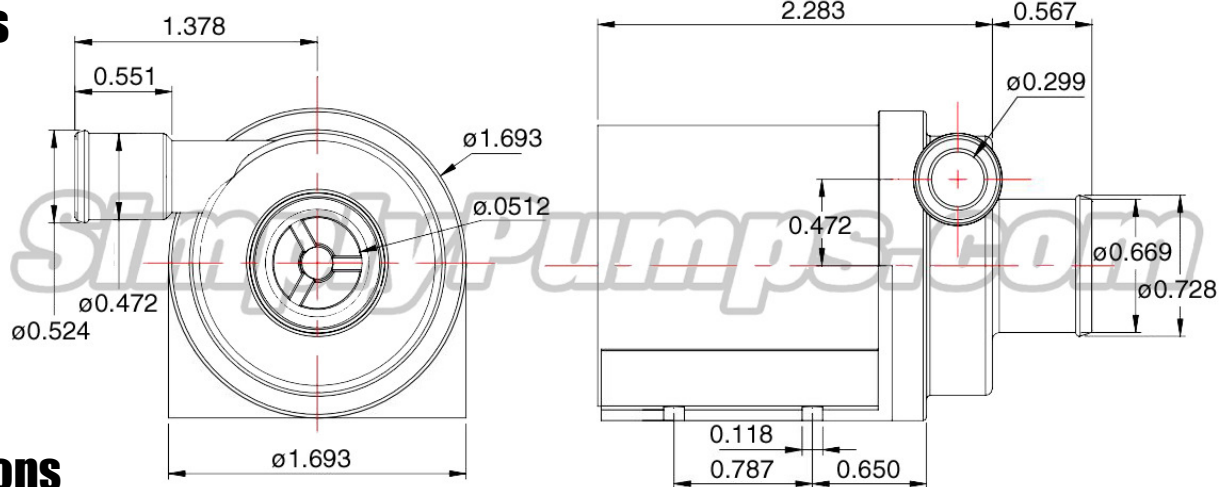
DYNAMAX pump series™

Features

- Brushless motor external controller
- Arduino compatible
- Variable speed flow using 5 VDC analog
- Quiet and extremely durable
- 20,000 hour life expectancy
- Magnetically coupled impeller
- Long life ceramic impeller shaft
- Can be submersed or used in-line
- Removable screen for in-line use
- 39" 24 AWG leads pump to controller
- Speed RPM feedback wire



Dimensions



Specifications

- 12 VDC - 0.9 amps – 11 watt
- Flow rate: 150 GPH or 9.45 l/min
- 0.625" - 5/8" inlet tubing, inlet ID 0.530"
- 0.4375" – 7/16" outlet tubing, outlet ID 0.315"
- Weight pump: 8.2 ounces, controller: 2.0 ounces
- Controller dimensions: 2.187 x 1.375 x 0.625 inches
- 22 AWG power leads 10 inches long
- Green wire: 0 to 5 VDC analog input
- Yellow wire: speed RPM feedback if needed
- Green and red wire share common ground



SimplyPumps.com™

724-864-5959