

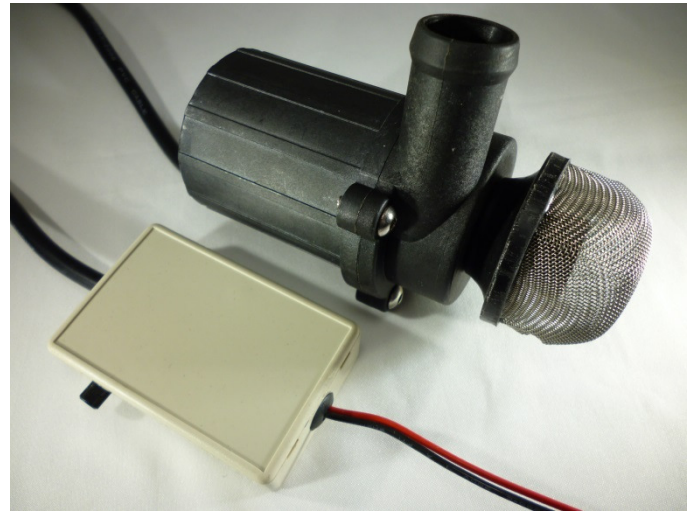
data sheet

model DM812VS

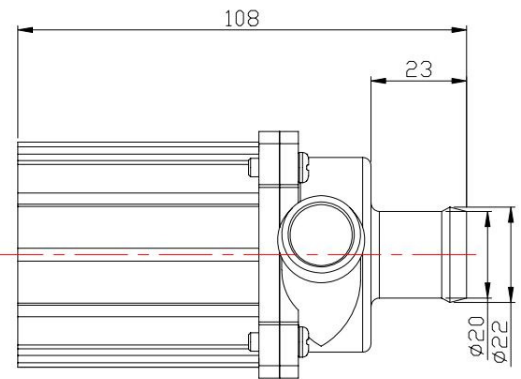
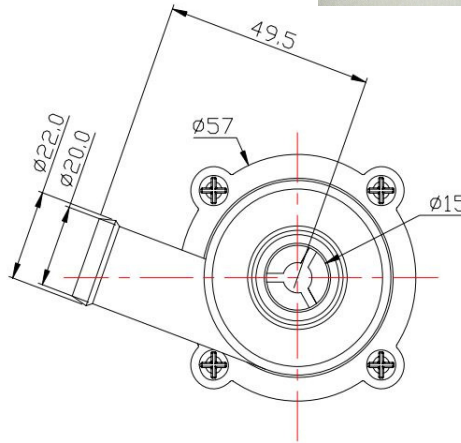
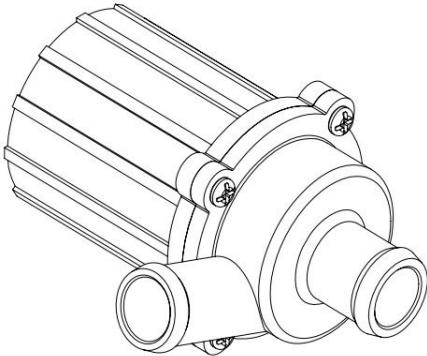
DYNAMax pump series™

Features

- Long life brushless motor
- External controller
- Potentiometer speed control
- Quiet and extremely durable
- 20,000 hour life expectancy
- Magnetically coupled impeller
- Ceramic impeller shaft
- Can be submersed or used in-line
- Removable inlet screen for use in-line



Dimensions



Specifications

- 12 VDC - 2.2 amps – 26.4 watt
- Flow rate: 205 GPH or 13 l/min
- 0.750" - 3/4" inlet tubing, inlet ID 0.600"
- 0.750" - 3/4" outlet tubing, outlet ID 0.600"
- Pump weight: 15.0 ounces
- Controller weight: 2.0 ounces
- Pump dimensions: 4.750 x 3.250 x 2.250 inches
- Controller dimensions: 2.750 x 1.750 x 0.750 inches
- 48 Inch 18 AWG PVC cable pump to controller
- 10 Inch 18 AWG black and red power leads



PO BOX 677 Manor PA 15665 724 864 5959

Specifications are subject to change without notice. No liability or warranty implied by this information. Copyright © 2017 Simply Pumps
Revised 5/11/17 R2

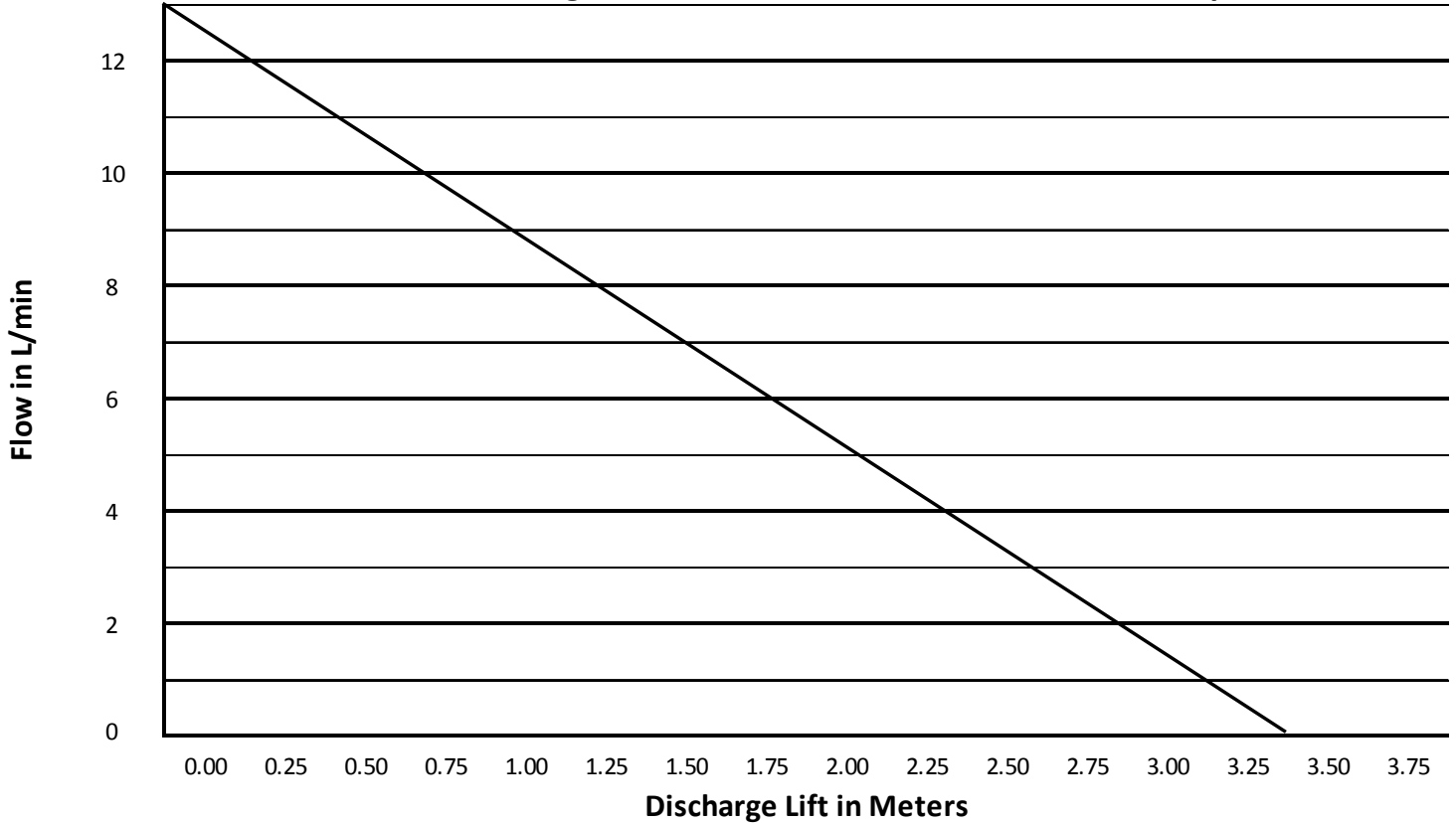
data sheet

model DM812VS

DYNAMax

pump series™

Flow vs. Discharge Lift DM812VS with Water at Maximum Speed



PO BOX 677 Manor PA 15665 724 864 5959

Specifications are subject to change without notice. No liability or warranty implied by this information. Copyright © 2017 Simply Pumps
Revised 5/11/17 R2