

data sheet

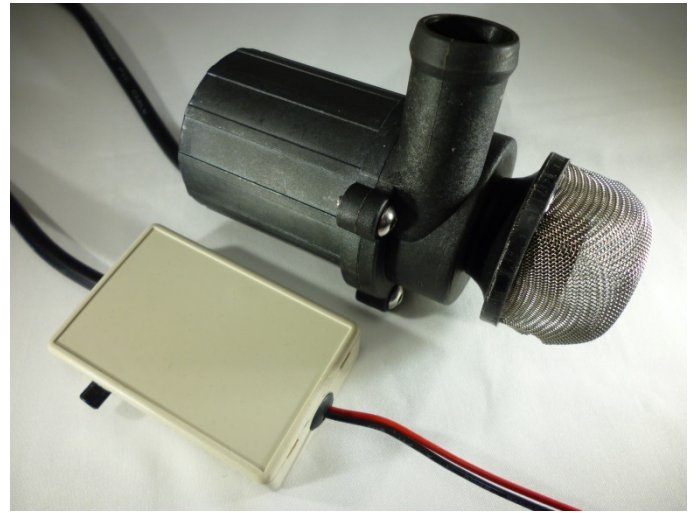
model DM812VS

DYNAMax

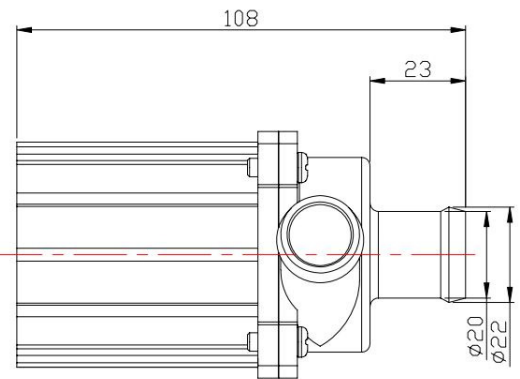
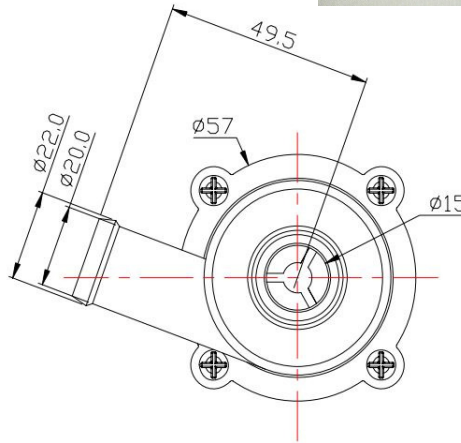
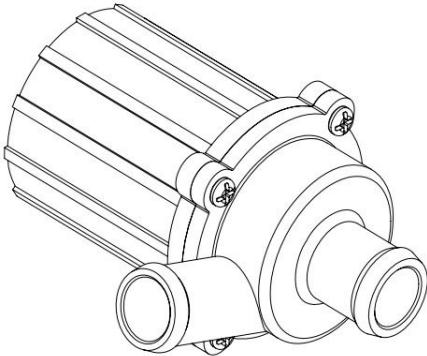
pump series™

Features

- Long life brushless motor
- External controller
- Potentiometer speed control
- Quiet and extremely durable
- 20,000 hour life expectancy
- Magnetically coupled impeller
- Ceramic impeller shaft
- Can be submersed or used in-line
- Removable inlet screen for use in-line



Dimensions



Specifications

- 12 VDC - 2.2 amps – 26.4 watt
- Flow rate: 205 GPH or 13 l/min
- 0.750" - 3/4" inlet tubing, inlet ID 0.600"
- 0.750" - 3/4" outlet tubing, outlet ID 0.600"
- Pump weight: 15.0 ounces
- Controller weight: 2.0 ounces
- Pump dimensions: 4.750 x 3.250 x 2.250 inches
- Controller dimensions: 2.750 x 1.750 x 0.750 inches
- 48 Inch 18 AWG PVC cable pump to controller
- 10 Inch 18 AWG black and red power leads



SimplyPumps.com™

724-864-5959

Specifications are subject to change without notice. No liability or warranty implied by this information.
Copyright © 2018 Simply Pumps Revised 9/14/18 R3

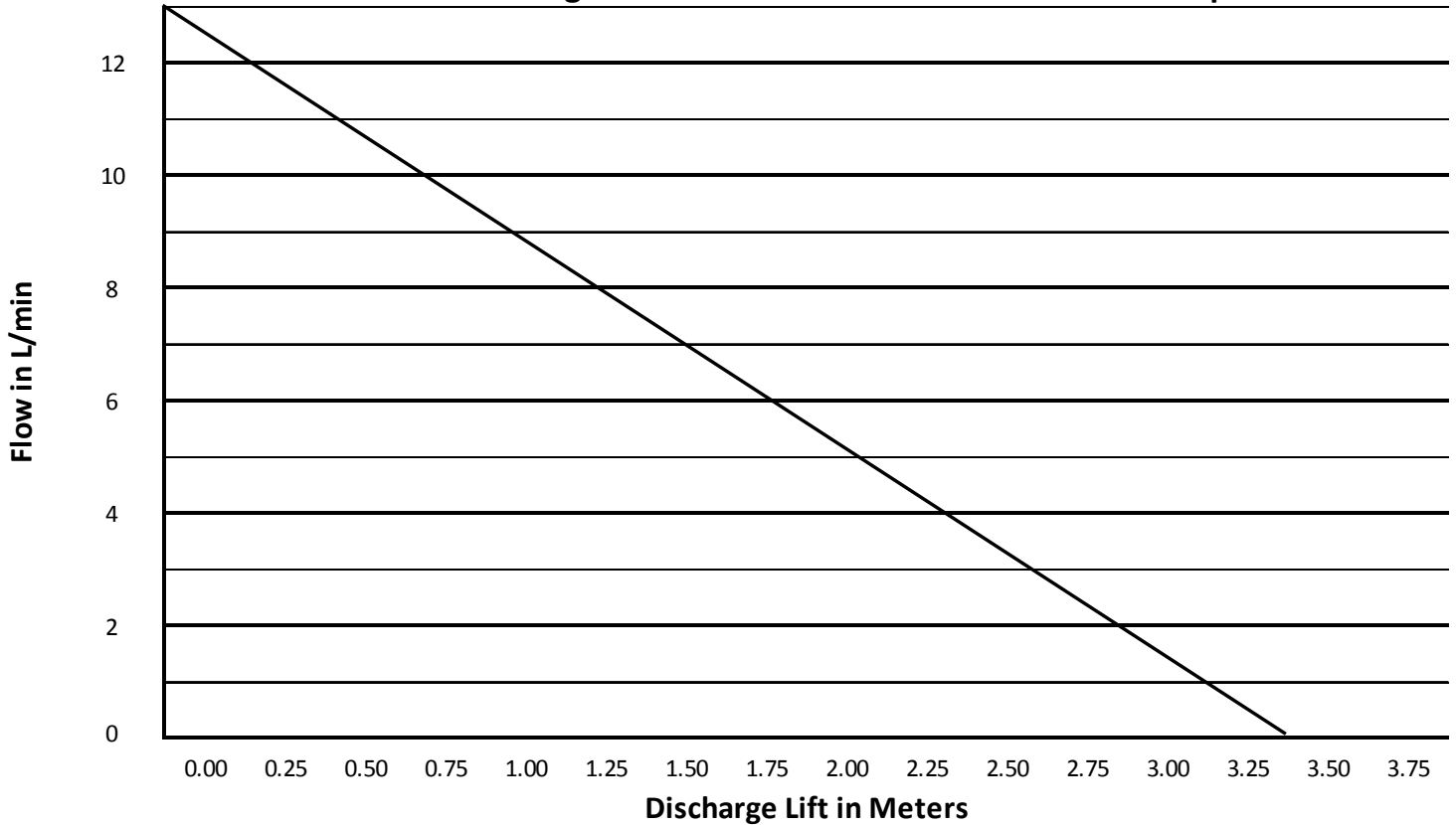
data sheet

model DM812VS

DYNAMax

pump series™

Flow vs. Discharge Lift DM812VS with Water at Maximum Speed



SimplyPumps™.com

724-864-5959

Specifications are subject to change without notice. No liability or warranty implied by this information.

Copyright © 2018 Simply Pumps Revised 9/14/18 R3