

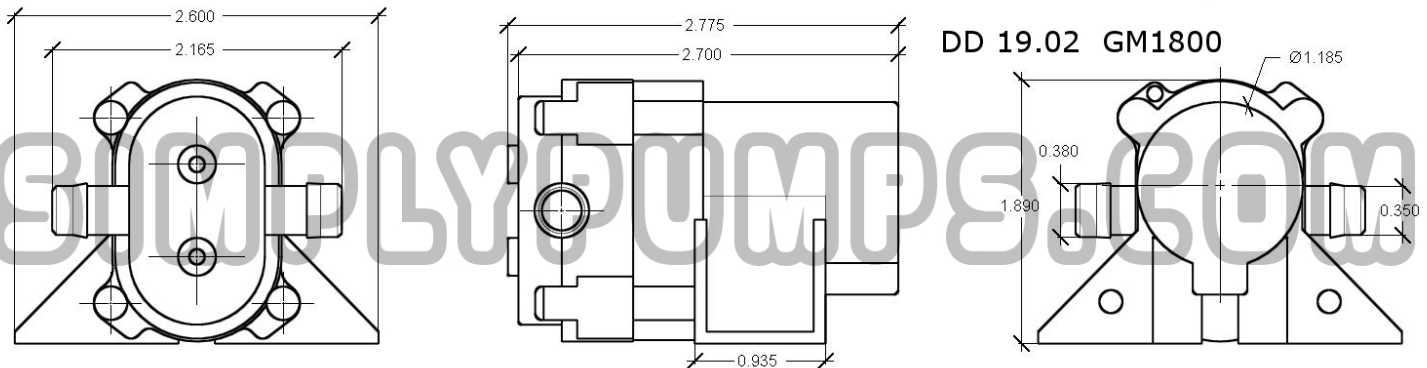
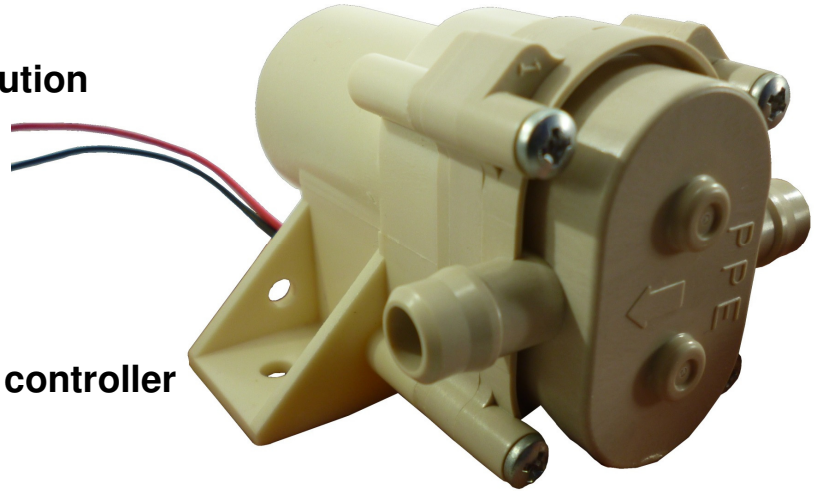
data sheet

model GM1800



Features

- Economical compact gear pump solution
- Food safe plastics
- Self-priming
- PPE pump head
- Polycarbonate gears
- NBR lip seal and O ring
- Low to moderate duty cycles
- Variable speed/flow using our VFC3 controller



Specifications

- 12 VDC - 0.250 amps - 3 watt
- Maximum flow rate: 1.3 liters per minute
- Dimensions: 2.775 x 2.600 x 1.890 inches
- Weight: 4.3 Ounces
- Inlet/Outlet tubing ID: 0.312 (5/16") inches
- Maximum fluid temperature: 140° F
- Maximum suction lift: 6 inches



Although gear pumps have the ability to evacuate air (self-prime), dry running should be avoided as much as possible to maximize pump life.

SimplyPumps.com

724-864-5959