

data sheet

model GM2012

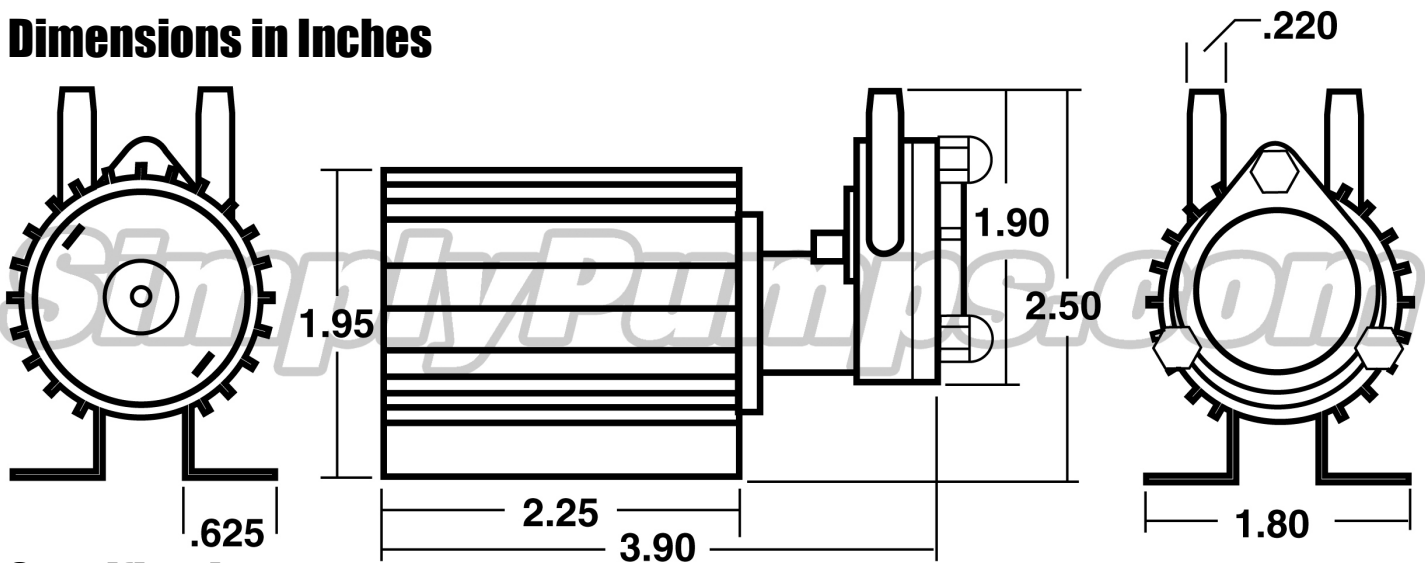
model GM2024



Features

- Self-priming
- Gear material: See Page 3
- Seal material: See Page 3
- Reversible flow
- Compatible with water, salt water, motor oil, glycol, and hydraulic oil
- Designed for frequent or continuous duty
- Flow rate is variable by adjusting voltage or PWM

Dimensions in Inches



Specifications

- 12 VDC - 2.5 amps - 30 watt , 24 VDC - 1.25 amps - 30 watt
- Maximum flow rate: 34 GPH or 2200 ml/min
- Maximum suction lift: 10 feet wet and 12 inch dry
- Dimensions: 4.000 x 1.750 x 2.630 inches, weight: 8.0 Ounces
- Inlet/Outlet tubing ID: 0.187 (3/16") inches
- Maximum fluid temperature: 150° F
- Pressure: 20 psi



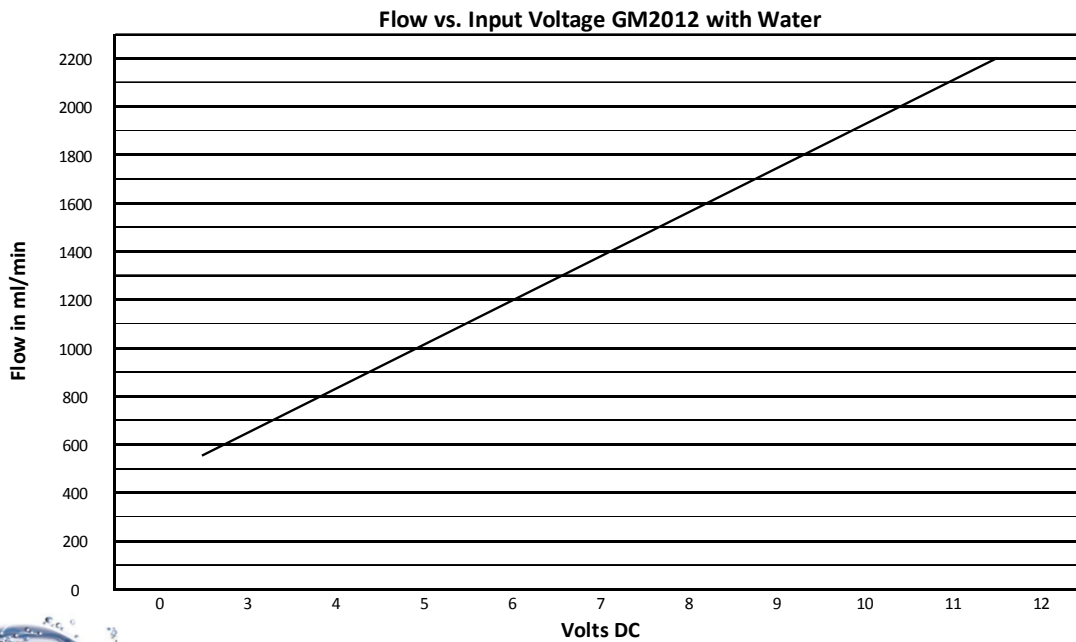
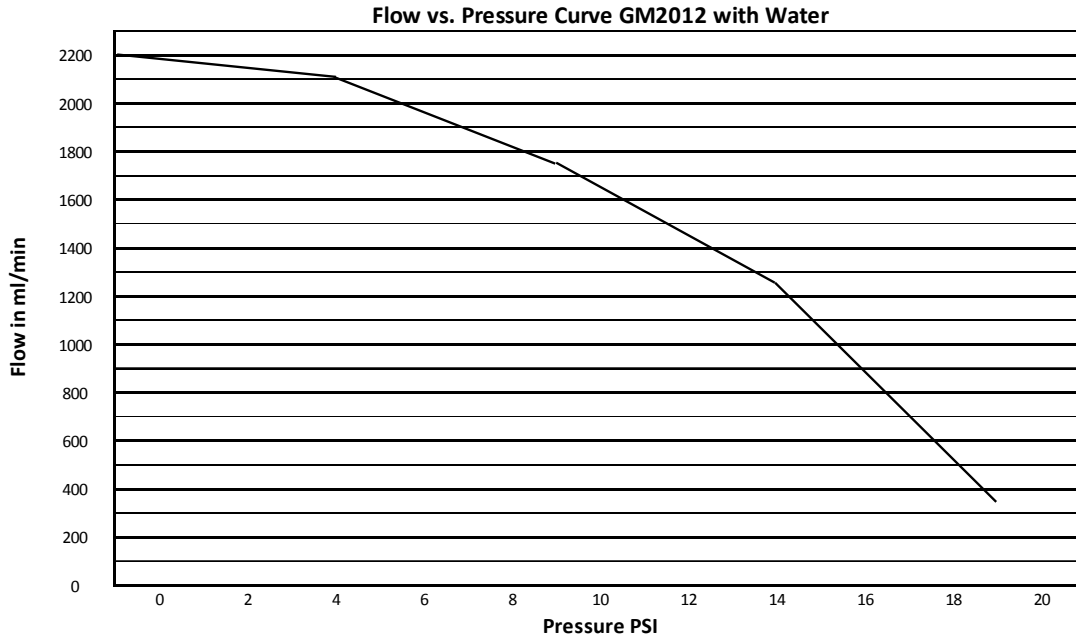
PO BOX 677 Manor PA 15665 724 864 5959

Specifications are subject to change without notice. No liability or warranty implied by this information. Copyright © 2017 Simply Pumps
Revised 02/07/18 R2

data sheet

model GM2012

model GM2024



PO BOX 677 Manor PA 15665 724 864 5959

Specifications are subject to change without notice. No liability or warranty implied by this information. Copyright © 2017 Simply Pumps
Revised 02/07/18 R2

data sheet

model GM2012

model GM2024



| Series 2000 Gear Pump Model Variations | | | | | |
|---|-------------------|------------------|-------------------|---------------|-----------------|
| Model Number | Motor Type | Gear Type | Shaft Seal | VDC IN | Max Temp |
| GM2012.DB | Brushed | Delrin | BUNA | 12 | 150° F |
| GM2012.DE | Brushed | Delrin | EPDM | 12 | 150° F |
| GM2012.DV | Brushed | Delrin | Viton | 12 | 150° F |
| GM2024.DB | Brushed | Delrin | BUNA | 24 | 150° F |
| GM2024.DE | Brushed | Delrin | EPDM | 24 | 150° F |
| GM2024.DV | Brushed | Delrin | Viton | 24 | 150° F |
| GMB2101 | Brushless | Delrin | BUNA | 9 - 18 | 150° F |
| GMB2102 | Brushless | Delrin | EPDM | 9 - 18 | 150° F |
| GMB2103 | Brushless | Delrin | Viton | 9 - 18 | 150° F |
| GMB2104 | Brushless | Delrin | AFLAS | 9 - 18 | 150° F |
| GMB2201 | Brushless | HDPE | BUNA | 9 - 18 | 150° F |
| GMB2202 | Brushless | HDPE | EPDM | 9 - 18 | 150° F |
| GMB2203 | Brushless | HDPE | Viton | 9 - 18 | 150° F |
| GMB2204 | Brushless | HDPE | AFLAS | 9 - 18 | 150° F |
| GMB2301 | Brushless | High Temp Delrin | BUNA | 9 - 18 | 185° F |
| GMB2302 | Brushless | High Temp Delrin | EPDM | 9 - 18 | 185° F |
| GMB2303 | Brushless | High Temp Delrin | Viton | 9 - 18 | 185° F |
| GMB2304 | Brushless | High Temp Delrin | AFLAS | 9 - 18 | 185° F |



PO BOX 677 Manor PA 15665 724 864 5959

Specifications are subject to change without notice. No liability or warranty implied by this information. Copyright © 2017 Simply Pumps
Revised 02/07/18 R2