

data sheet

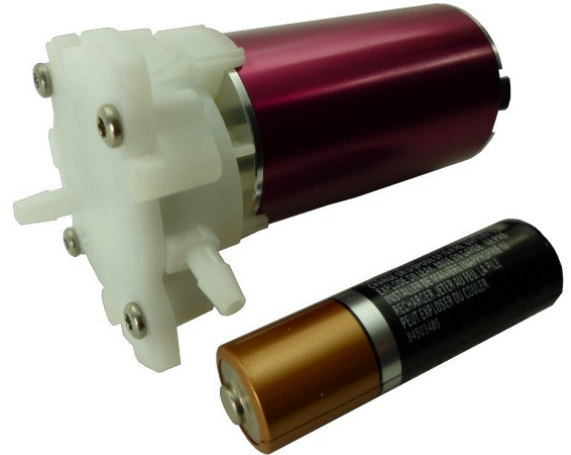
model GMB1600

GEARmax

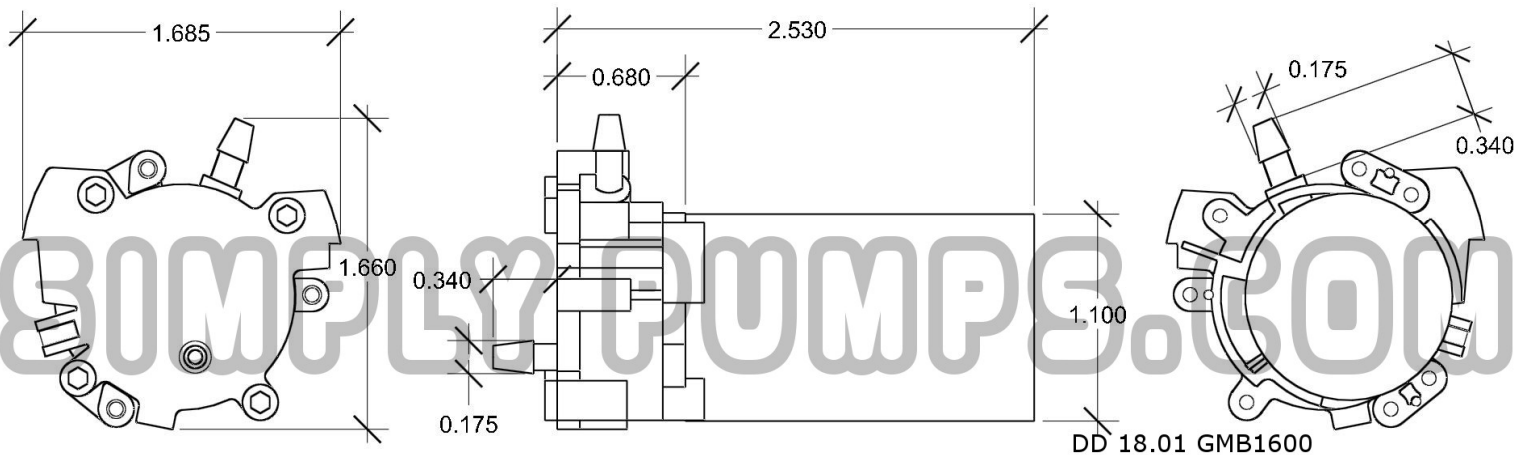
pump series™

Features

- Long life brushless motor
- External user-friendly controller
- Self-priming (see application notes)
- Plastic pump head
- Polyacetal gears
- Silicone lip seal and O ring
- Reversible flow direct drive design
- Frequent or high duty cycles
- Variable speed/flow using potentiometer, 5 VDC analog, or PWM signal

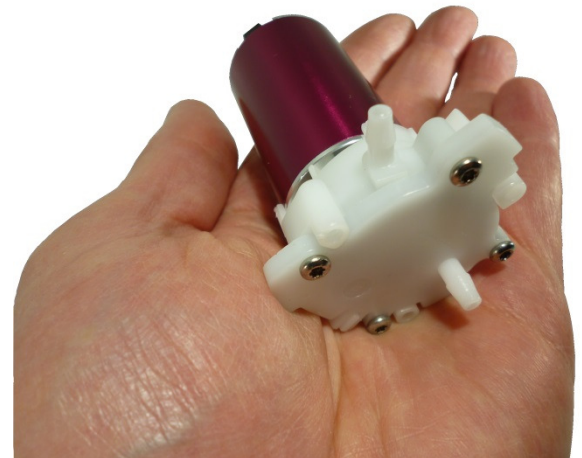


Dimensions in Inches



Specifications

- See page 2 for specifications by model
- Dimensions: 2.550 x 1.600 x 1.700 inches
- Weight: 5.1 Ounces
- Inlet/Outlet tubing ID: 0.125 (1/8") inches
- Maximum fluid temperature: 140° F



PO BOX 677 Manor PA 15665 724 864 5959

Specifications are subject to change without notice. No liability or warranty implied by this information. Copyright © 2018 Simply Pumps
Revised 02/24/18 R6

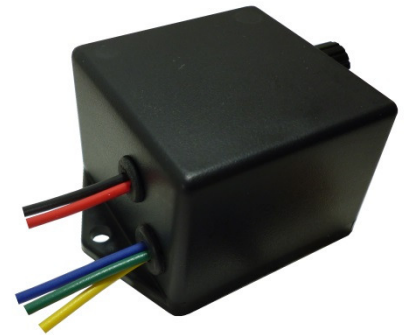
data sheet

model GMB1600



GMB1600 Model Variations

Model No.	Driver Model No.	Test VDC	Current Draw	Max ml/min	VDC Range	KV
GMB1604	Pump only, no driver					400kv
GMB1608	Pump only, no driver					800kv
GMB1614	BMC12.3A	12	250 ma	270	8.0 to 18.0	400kv
GMB1618			450 ma	550		800kv



Application notes

- The maximum suction lift distance will vary by model. This distance will increase as flow rate and voltage increases. Model GMB1614 will not self-prime at distances of more than a few inches.
- Although gear pumps have the ability to evacuate air (self-prime), dry running should be avoided as much as possible to maximize pump life.
- 1kHz-10kHz PWM signal to terminal VR for external PWM control
- Please refer to BMC12.3A Data Sheet and BMC36.15A Data Sheet for additional information on the controllers and sample wiring diagrams.



PO BOX 677 Manor PA 15665 724 864 5959

Specifications are subject to change without notice. No liability or warranty implied by this information. Copyright © 2018 Simply Pumps
Revised 02/24/18 R6