

data sheet

model GMB2000

GEARmax

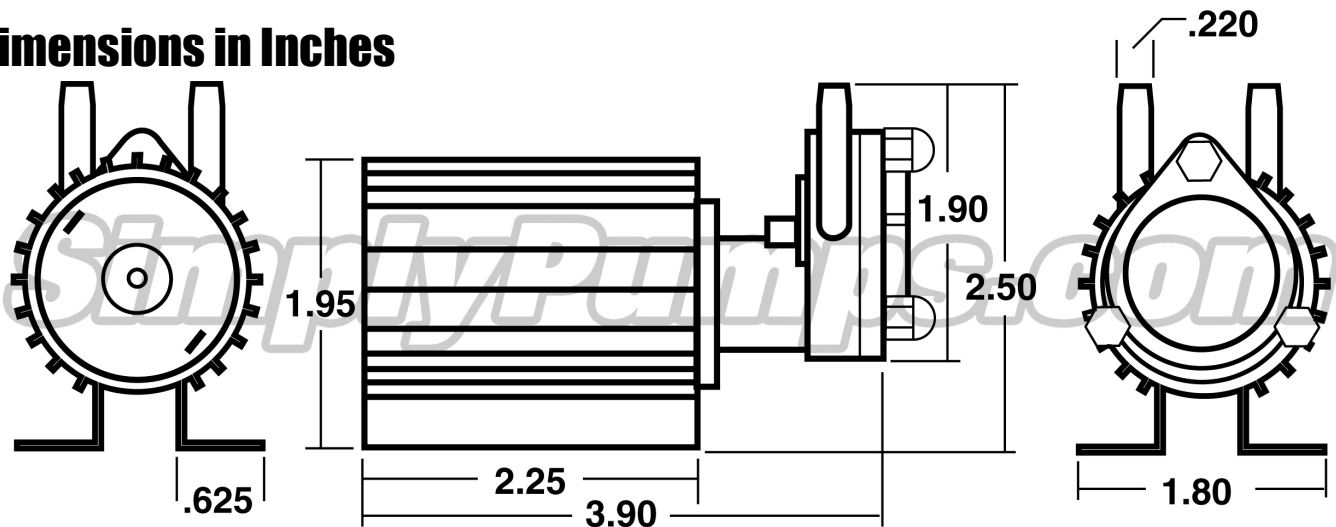
pump series™

Features

- Long life brushless motor
- External user-friendly controller
- Self-priming
- 9 to 18 volt controller input
- Gear material see chart
- Shaft seal material see chart
- Reversible flow
- Compatible with water, salt water, motor oil, glycol, and hydraulic oil
- Frequent or continuous duty
- Flow rate is variable by potentiometer, 5 VDC analog, or PWM signal

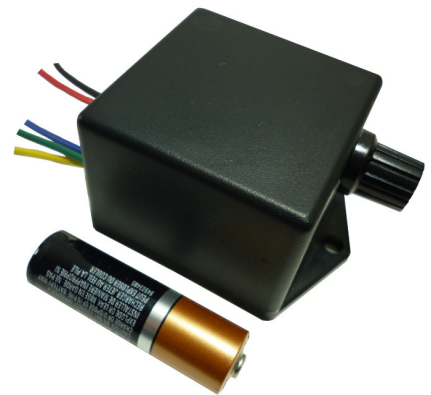


Dimensions in Inches



Specifications

- 12 VDC - 1.0 amps - 12 watt – 18 volt maximum
- Maximum flow rate: 31 GPH or 2000 ml/min
- Maximum suction lift: 8 feet wet and 12 inch dry
- Dimensions: 4.000 x 1.750 x 2.630 inches
- Weight: 9.0 Ounces
- Inlet/Outlet tubing ID: 0.187 (3/16") inches
- Fluid temperature see chart



PO BOX 677 Manor PA 15665 724 864 5959

Specifications are subject to change without notice. No liability or warranty implied by this information. Copyright © 2017 Simply Pumps
Revised 02/07/18 R4

data sheet

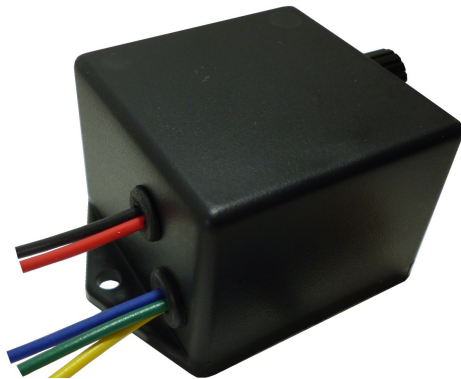
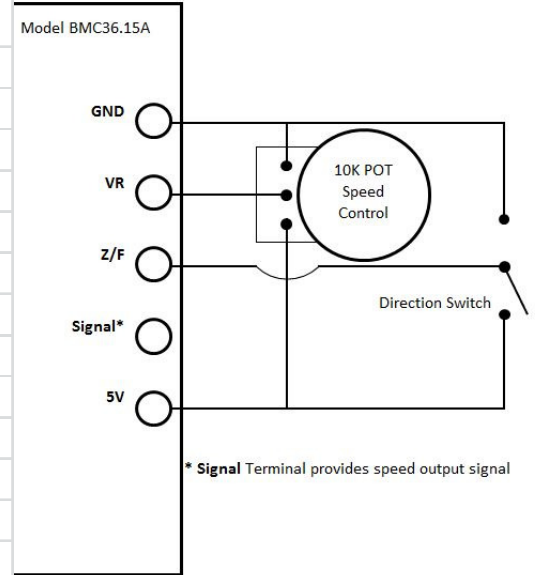
model GMB2000

GEARmax

pump series™

Series 2000 Gear Pump Model Variations

Model Number	Motor Type	Gear Type	Shaft Seal	VDC IN	Max Temp
GM2012.DB	Brushed	Delrin	BUNA	12	150° F
GM2012.DE	Brushed	Delrin	EPDM	12	150° F
GM2012.DV	Brushed	Delrin	Viton	12	150° F
GM2024.DB	Brushed	Delrin	BUNA	24	150° F
GM2024.DE	Brushed	Delrin	EPDM	24	150° F
GM2024.DV	Brushed	Delrin	Viton	24	150° F
GMB2101	Brushless	Delrin	BUNA	9 - 18	150° F
GMB2102	Brushless	Delrin	EPDM	9 - 18	150° F
GMB2103	Brushless	Delrin	Viton	9 - 18	150° F
GMB2104	Brushless	Delrin	AFLAS	9 - 18	150° F
GMB2201	Brushless	HDPE	BUNA	9 - 18	150° F
GMB2202	Brushless	HDPE	EPDM	9 - 18	150° F
GMB2203	Brushless	HDPE	Viton	9 - 18	150° F
GMB2204	Brushless	HDPE	AFLAS	9 - 18	150° F
GMB2301	Brushless	High Temp Delrin	BUNA	9 - 18	185° F
GMB2302	Brushless	High Temp Delrin	EPDM	9 - 18	185° F
GMB2303	Brushless	High Temp Delrin	Viton	9 - 18	185° F
GMB2304	Brushless	High Temp Delrin	AFLAS	9 - 18	185° F



PO BOX 677 Manor PA 15665 724 864 5959

Specifications are subject to change without notice. No liability or warranty implied by this information. Copyright © 2017 Simply Pumps
Revised 02/07/18 R4