

data sheet

model GMB2000

GEARmax

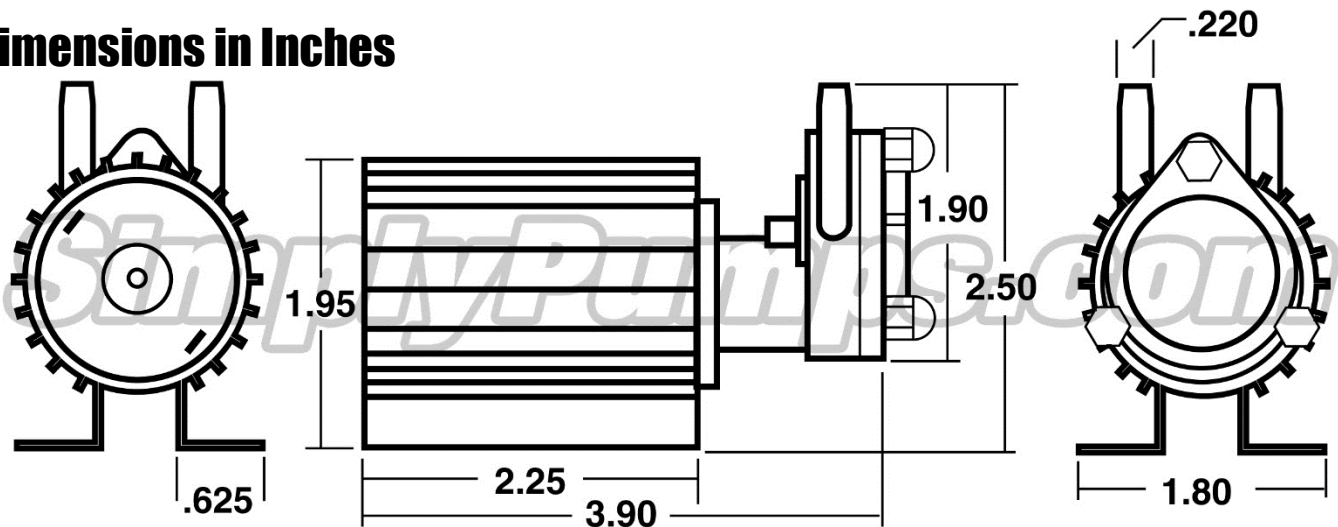
pump series™

Features

- Long life brushless motor
- External user-friendly controller
- Self-priming
- 12 to 24 volt controller input
- Delrin gears and pump head
- Shaft seal material see chart
- Reversible flow, variable flow
- Compatible with water, salt water, motor oil, glycol, and hydraulic oil
- Frequent or continuous duty
- See our BMC15 data sheet for controller details

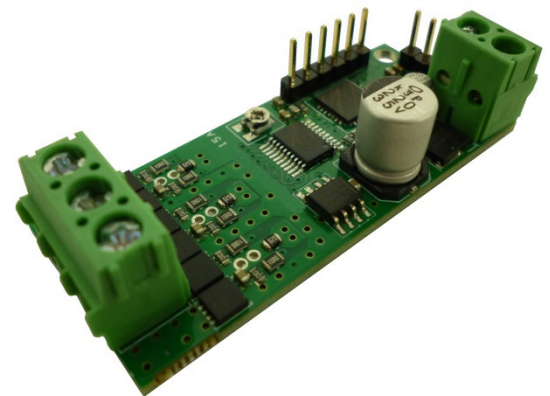


Dimensions in Inches



Specifications

- 12 VDC - 1.0 amps - 12 watt
- 24 VDC - 0.5 amps - 12 watt
- Maximum flow rate: 31 GPH or 2000 ml/min
- Maximum suction lift: 8 feet wet and 12 inch dry
- Dimensions: 4.000 x 1.750 x 2.630 inches
- Weight: 9.0 Ounces
- Inlet/Outlet tubing ID: 0.187 (3/16") inches
- Maximum fluid temperature: 150 °F



SimplyPumps.com™

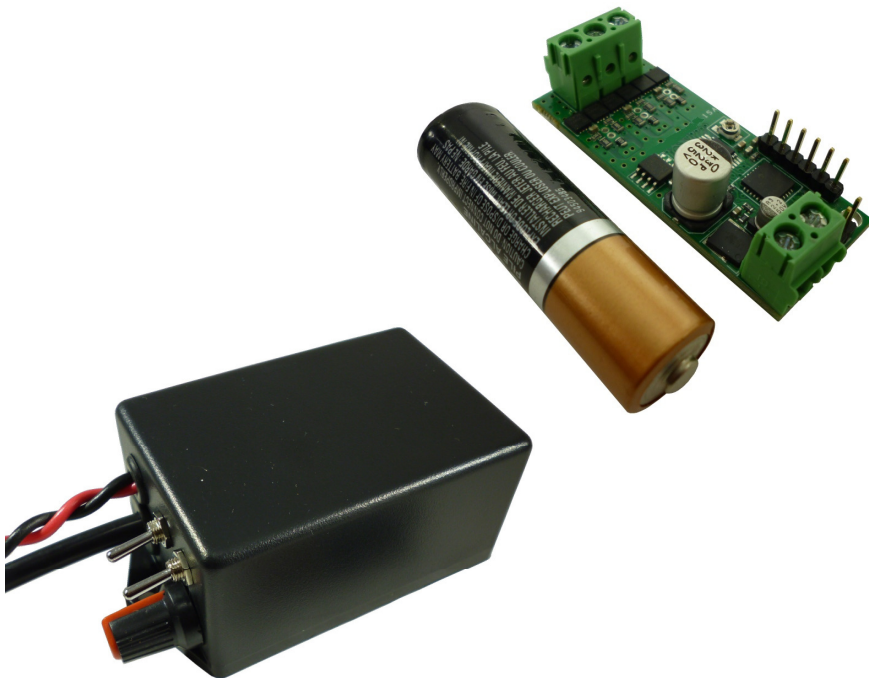
724-864-5959

data sheet model GMB2000



Series 2000 Gear Pump Model Variations

Model Number	Motor Type	Gear Type	Shaft Seal	VDC IN
GM2012.DB	Brushed	Delrin	BUNA	12
GM2012.DV	Brushed	Delrin	Viton	12
GM2024.DB	Brushed	Delrin	BUNA	24
GM2024.DV	Brushed	Delrin	Viton	24
GMB2101	Brushless	Delrin	BUNA	12 - 30
GMB2103	Brushless	Delrin	Viton	12 - 30
GMB2104	Brushless	Delrin	AFLAS	12 - 30



SimplyPumps.com

724-864-5959