

data sheet

model HP100S

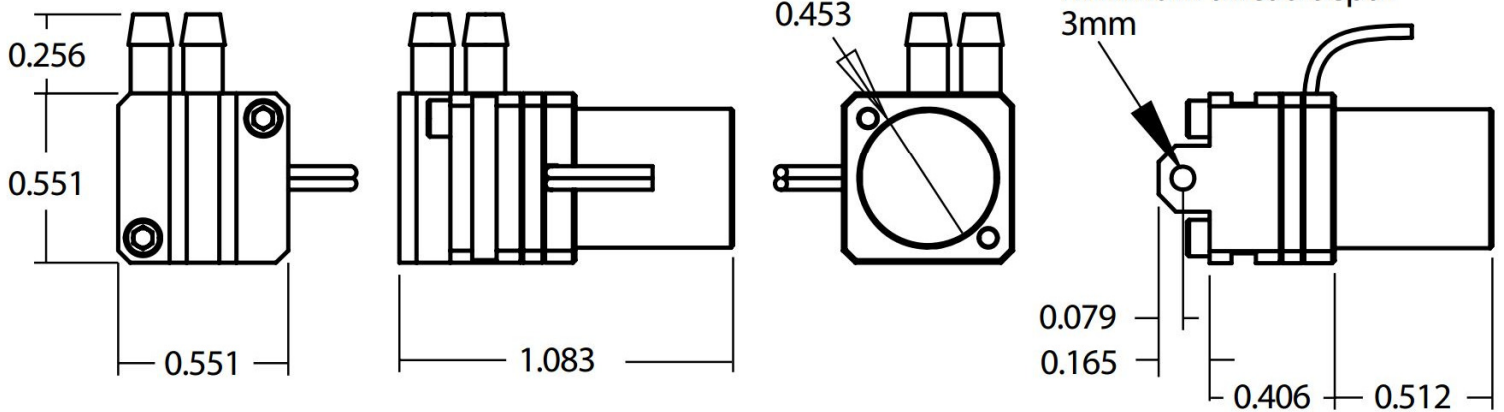


Features

- Smallest pump in our product line
- CNC aluminum alloy construction
- Quiet, pulseless, smooth flow
- Wide range of chemical resistance
- Can be submersed or used in-line
- Viton® seals are standard
- Can be customized



Dimensions in inches



Specifications

- 3.0 VDC nominal (2 VDC min, 4.5 VDC max) 0.420 amps @ 4.5 VDC 1.9 watt
- Flow rate: 6 GPH @ 0 feet head, maximum lift 36 inches
- Maximum pressure: 155 mBar - 2.2 psi
- Use with 0.0938 (3/32) inch ID inlet outlet tubing
- Weight: 0.3 ounces
- Runtime Using AA batteries: ~ 6.7 Hours
- Wetted parts: aluminum, 316 SS, polyacetal, and Viton®

SimplyPumps.com

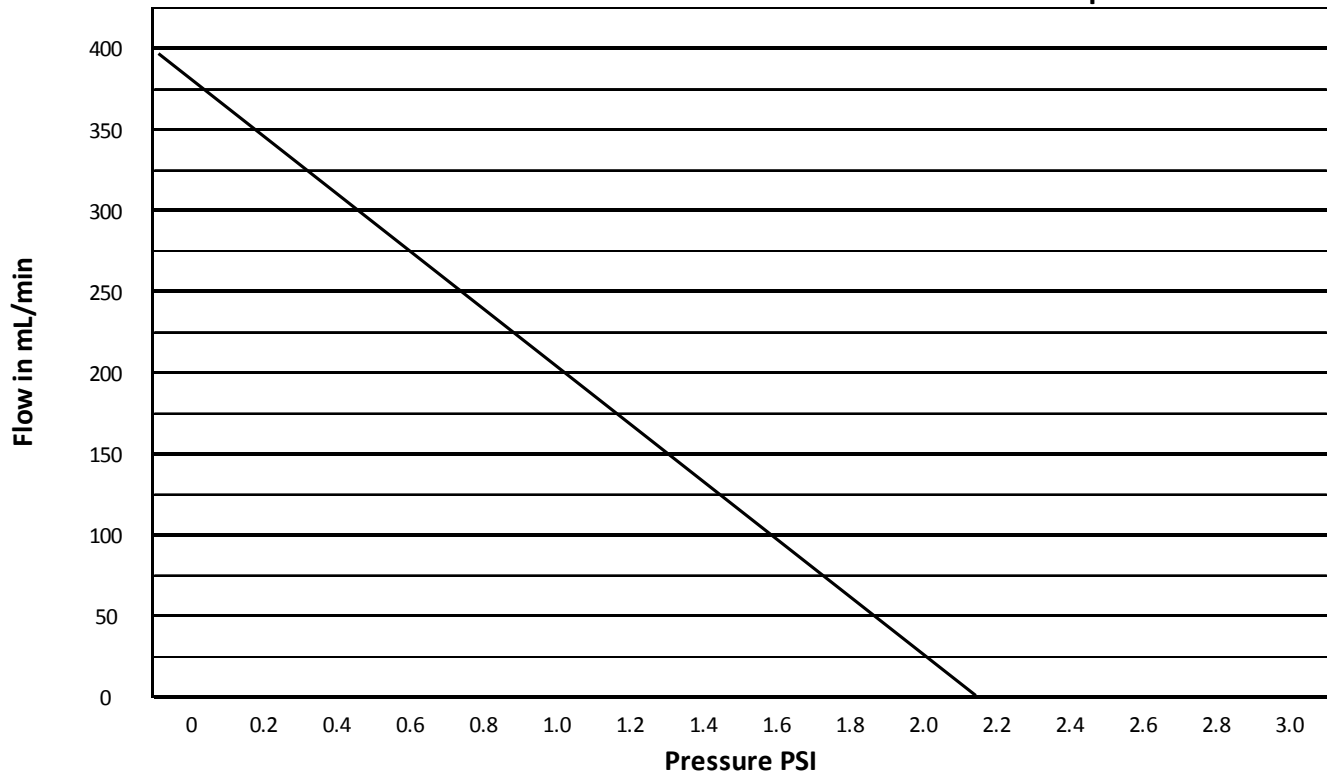
724-864-5959

data sheet

model HP100S



Flow vs. Pressure Curve HP100S with Water 4.5 VDC Input



SimplyPumps.com

724-864-5959

Specifications are subject to change without notice. No liability or warranty implied by this information.
Copyright © 2018 Simply Pumps Revised 9/14/18 R2