

data sheet

model HP102

model HP104

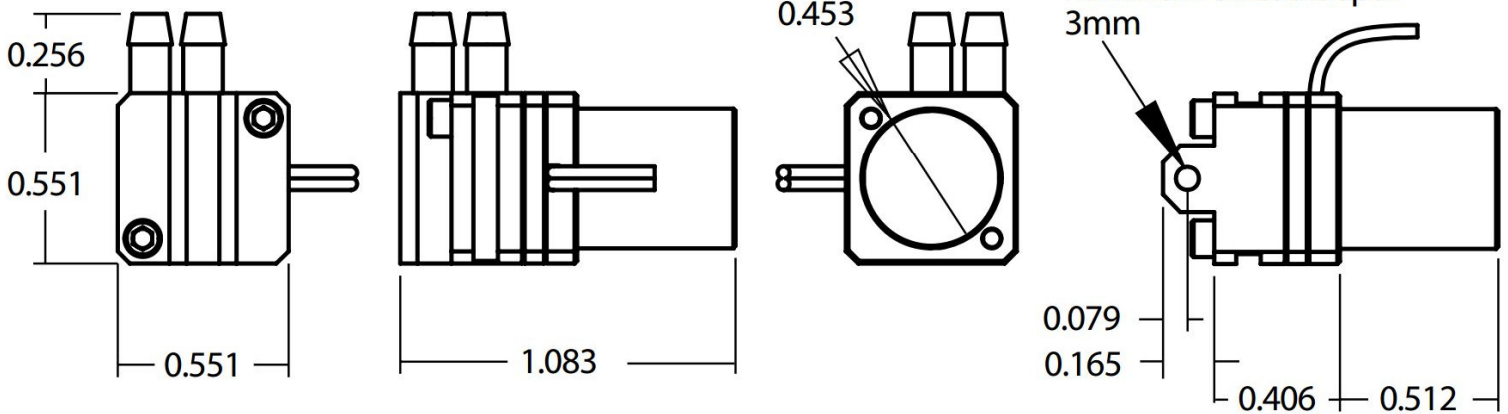


Features

- Smallest pump in our product line
- Low power consumption
- CNC aluminum alloy construction
- Quiet, pulseless, smooth flow
- Wide range of chemical resistance
- Use in-line only (not submersible)
- Viton® seals are standard
- Can be customized



Dimensions in inches



Specifications

- HP104 6.0 VDC nominal 0.250 amps @ 6.0 VDC 1.5 watt
- HP102 6.0 VDC nominal 0.070 amps @ 6.0 VDC 0.4 watt
- See page 2 of data sheet for flow and pressure data
- Use with 0.0938 (3/32) inch ID inlet outlet tubing
- Weight 0.3 ounces
- Wetted parts: aluminum, 316 SS, polyacetal, and Viton®



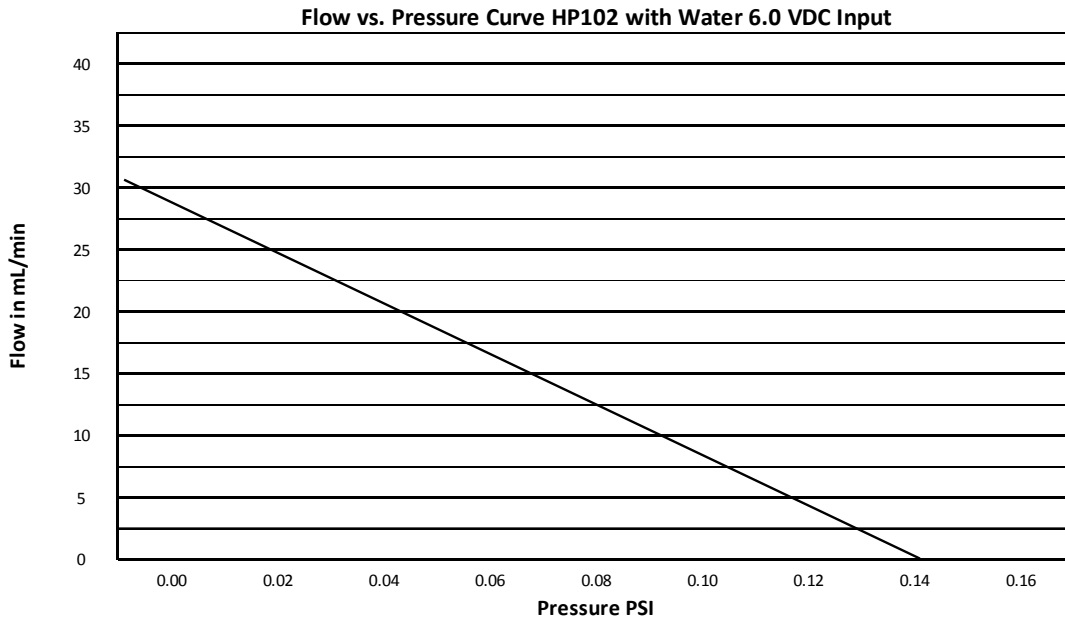
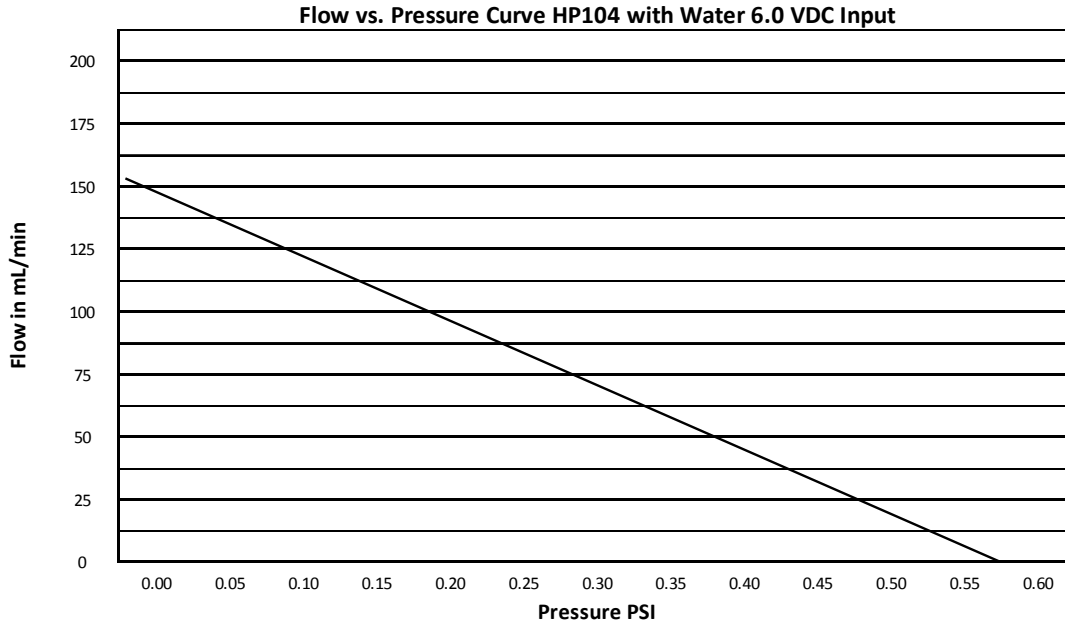
PO BOX 677 Manor PA 15665 724 864 5959

Specifications are subject to change without notice. No liability or warranty implied by this information. Copyright © 2017 Simply Pumps
Revised 1/21/17 R1

data sheet

model HP102

model HP104



PO BOX 677 Manor PA 15665 724 864 5959

Specifications are subject to change without notice. No liability or warranty implied by this information. Copyright © 2017 Simply Pumps
Revised 1/21/17 R1