

data sheet

model HP2000.12

model HP2000.24

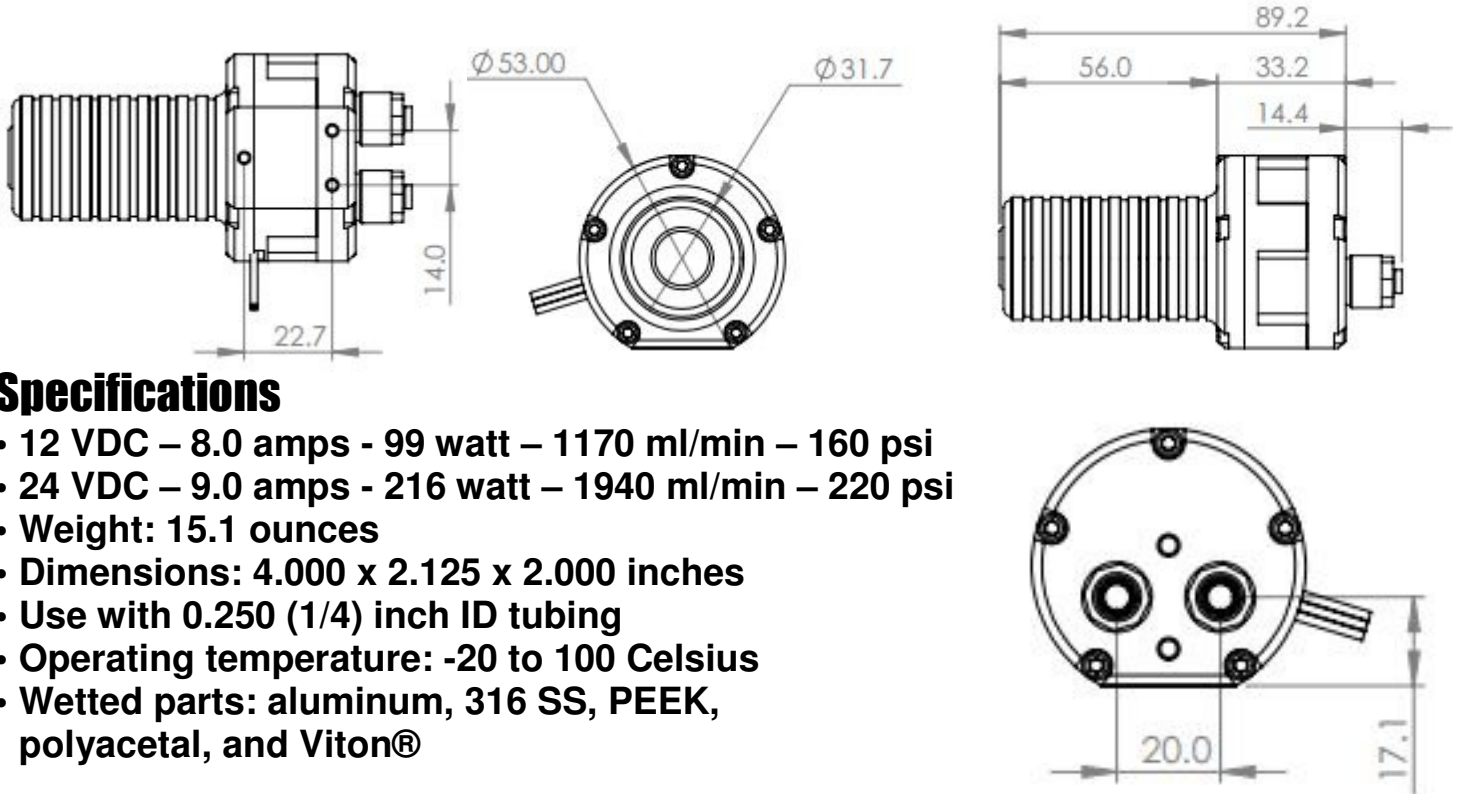


Features

- High pressure and self-priming
- Wide range of viscosity
- Brushless motor with external driver
- Reversible flow capability
- Aluminum alloy construction
- Vary input VDC to control flow
- Submersible or in-line use
- Choose 12 or 24 VDC Driver



Dimensions in mm



Specifications

- 12 VDC – 8.0 amps - 99 watt – 1170 ml/min – 160 psi
- 24 VDC – 9.0 amps - 216 watt – 1940 ml/min – 220 psi
- Weight: 15.1 ounces
- Dimensions: 4.000 x 2.125 x 2.000 inches
- Use with 0.250 (1/4) inch ID tubing
- Operating temperature: -20 to 100 Celsius
- Wetted parts: aluminum, 316 SS, PEEK, polyacetal, and Viton®



PO BOX 677 Manor PA 15665 724 864 5959

Specifications are subject to change without notice. No liability or warranty implied by this information. Copyright © 2017 Simply Pumps
Revised 1/21/17 R1

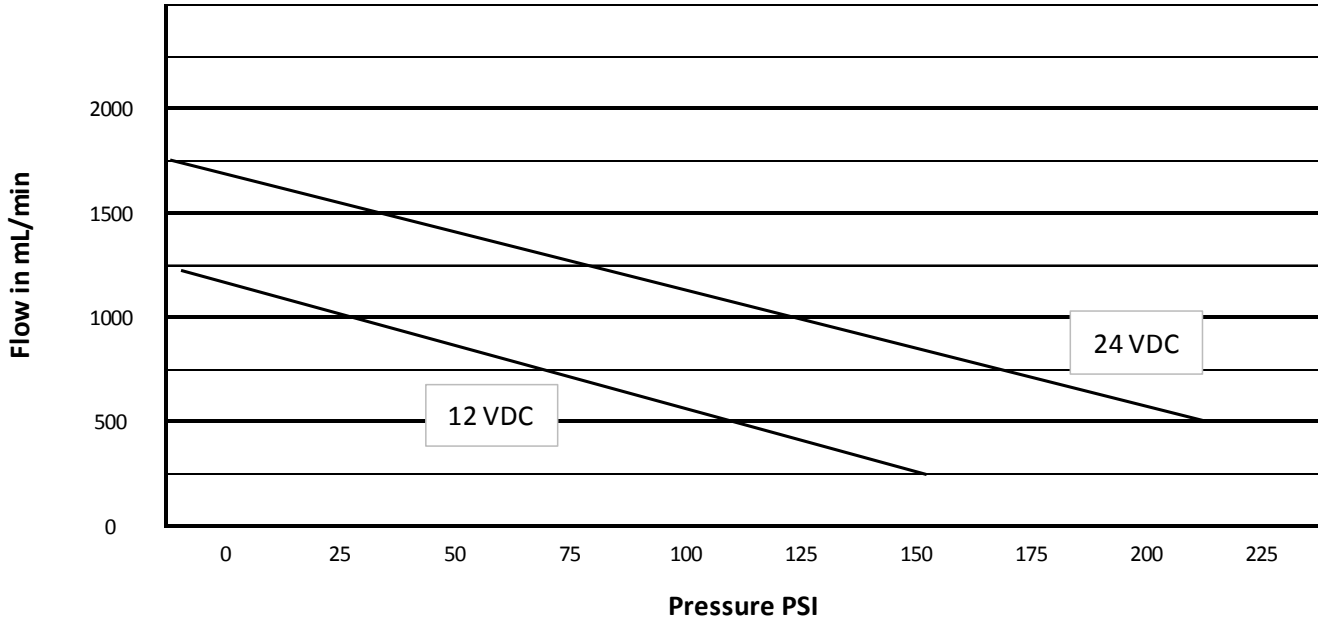
data sheet

model HP2000.12

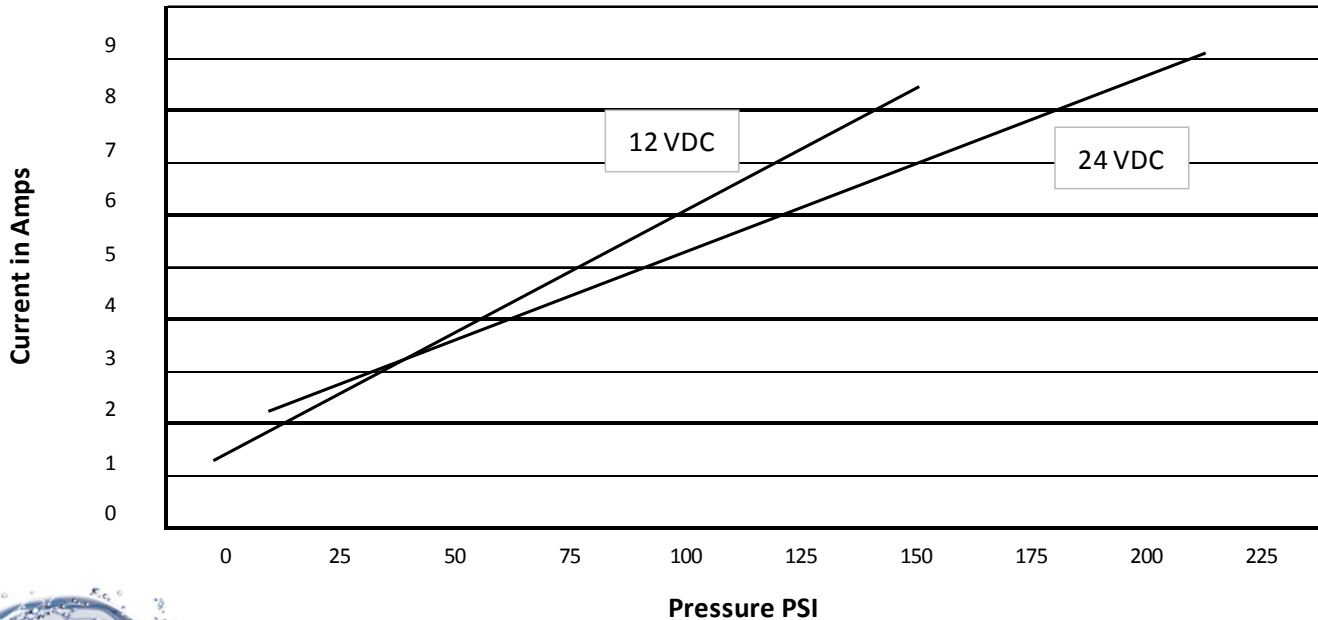
model HP2000.24



Flow vs. Pressure Curve HP2000 with Water



Current vs. Pressure Curve HP2000 with Water



PO BOX 677 Manor PA 15665 724 864 5959

Specifications are subject to change without notice. No liability or warranty implied by this information. Copyright © 2017 Simply Pumps
Revised 1/21/17 R1