

data sheet

model HP2000.12

model HP2000.24

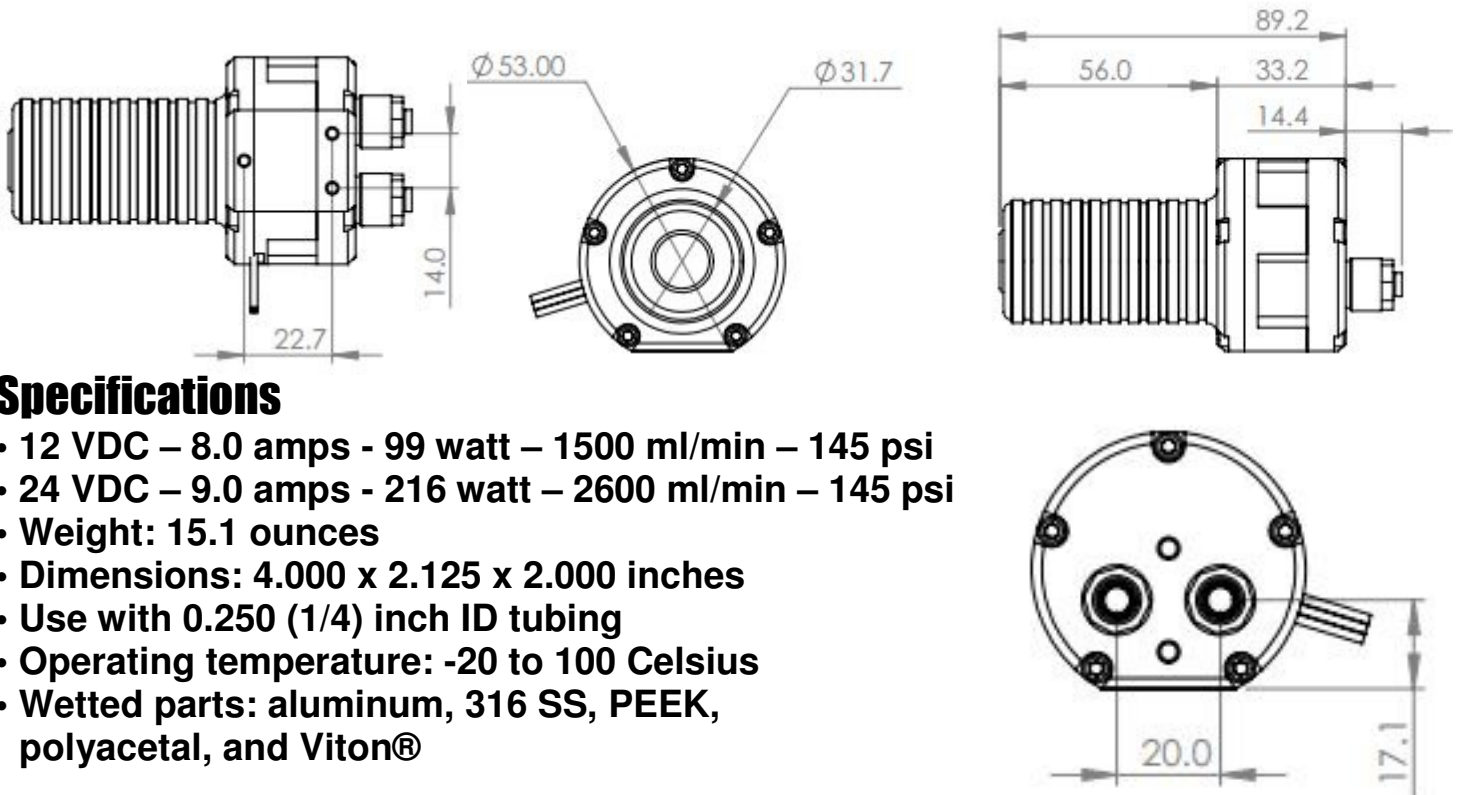


Features

- High pressure and self-priming
- Wide range of viscosity
- Brushless motor with external driver
- Reversible flow capability
- Aluminum alloy construction
- Vary input VDC to control flow
- Submersible or in-line use
- Choose 12 or 24 VDC Driver



Dimensions in mm



Specifications

- 12 VDC – 8.0 amps - 99 watt – 1500 ml/min – 145 psi
- 24 VDC – 9.0 amps - 216 watt – 2600 ml/min – 145 psi
- Weight: 15.1 ounces
- Dimensions: 4.000 x 2.125 x 2.000 inches
- Use with 0.250 (1/4) inch ID tubing
- Operating temperature: -20 to 100 Celsius
- Wetted parts: aluminum, 316 SS, PEEK, polyacetal, and Viton®

SimplyPumps.com

724-864-5959

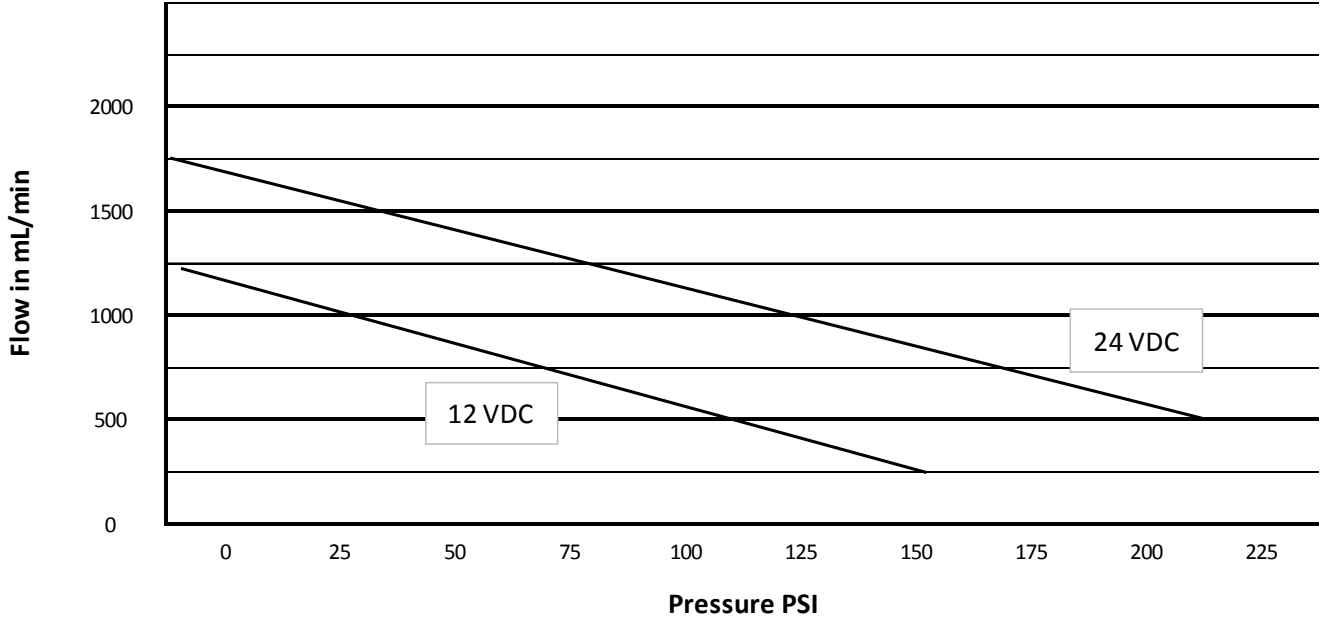
data sheet

model HP2000.12

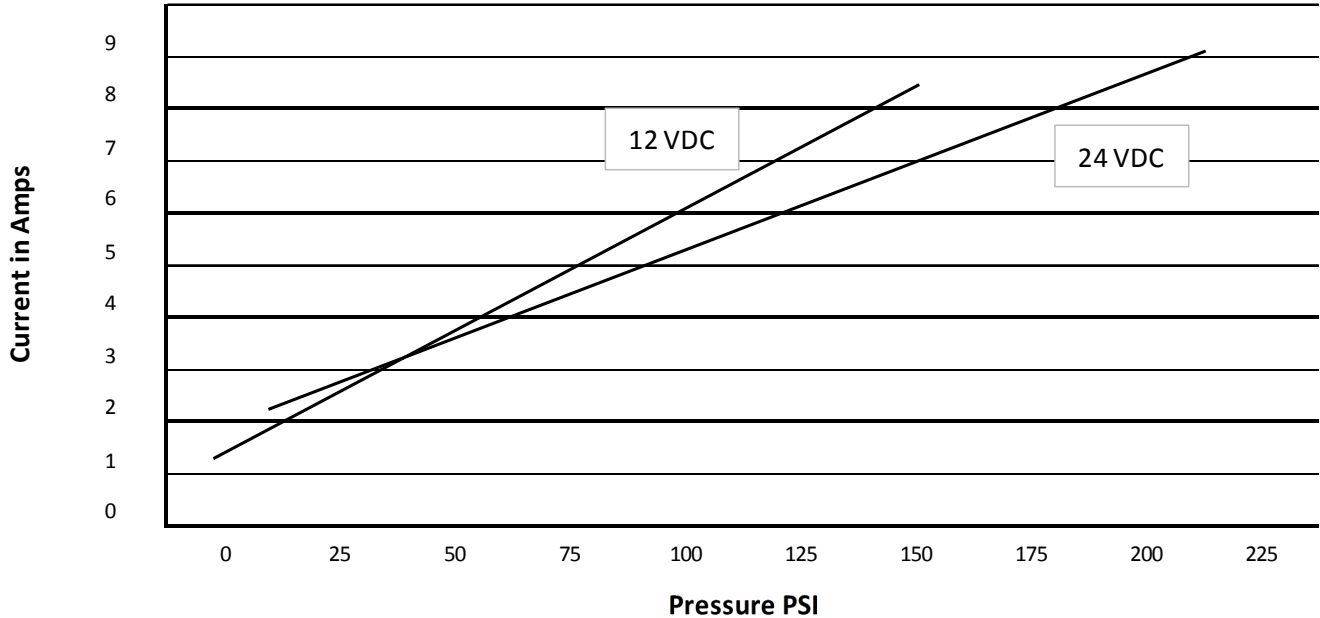
model HP2000.24



Flow vs. Pressure Curve HP2000 with Water



Current vs. Pressure Curve HP2000 with Water



Simply Pumps[™].com

724-864-5959