

data sheet

model HP200S

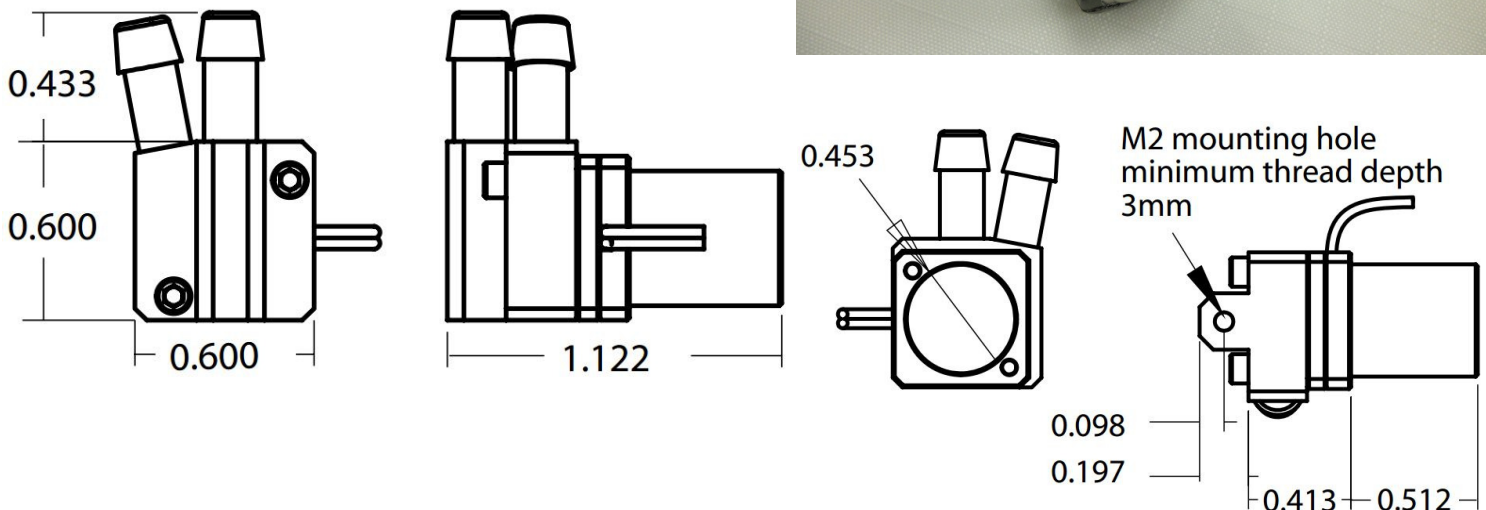


Features

- CNC aluminum alloy construction
- Quiet, pulseless, smooth flow
- Wide range of chemical resistance
- Can be submersed or used in-line
- Viton® seals are standard
- Can be customized
- Stainless steel tubing ports



Dimensions in inches



Specifications

- 3.0 VDC nominal (2 VDC min, 4.5 VDC max) 0.420 amps @ 4.5 VDC 1.9 watt
- Flow rate: 11 GPH @ 0 feet head, maximum lift 60 inches
- Maximum pressure: 3.4 psi
- Use with 0.1563 (5/32) inch ID inlet outlet tubing
- Weight: 0.5 ounces
- Runtime using AA batteries: ~ 6.7 Hours
- Wetted parts: aluminum, 316 SS, polyacetal, and Viton®



PO BOX 677 Manor PA 15665 724 864 5959

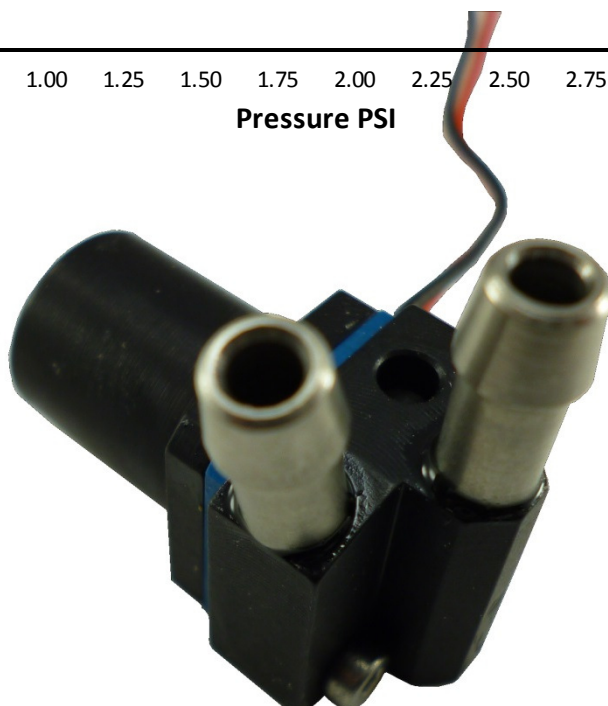
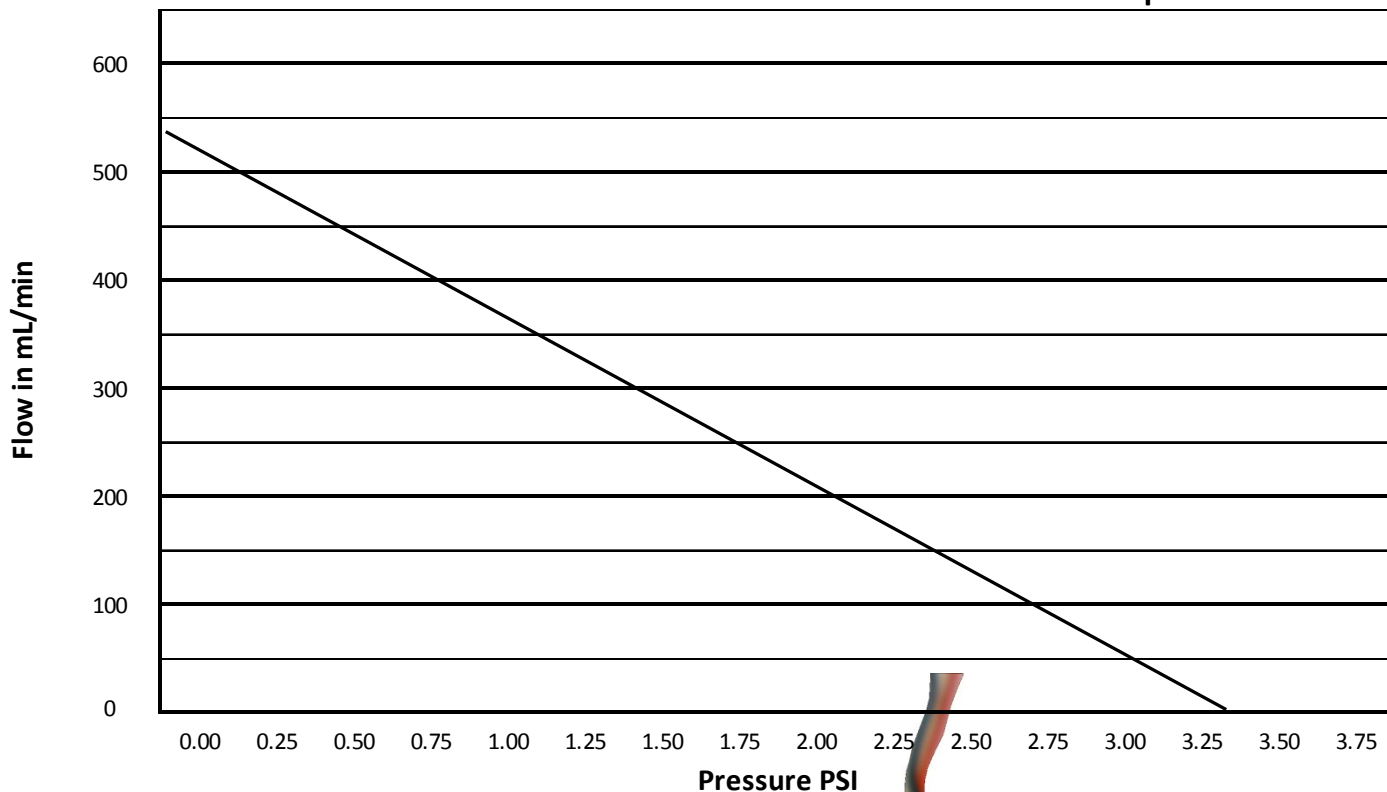
Specifications are subject to change without notice. No liability or warranty implied by this information. Copyright © 2017 Simply Pumps
Revised 1/21/17 R1

data sheet

model HP200S



Flow vs. Pressure Curve HP200S with Water 4.5 VDC Input



PO BOX 677 Manor PA 15665 724 864 5959

Specifications are subject to change without notice. No liability or warranty implied by this information. Copyright © 2017 Simply Pumps
Revised 1/21/17 R1