

# data sheet

## model HP200S

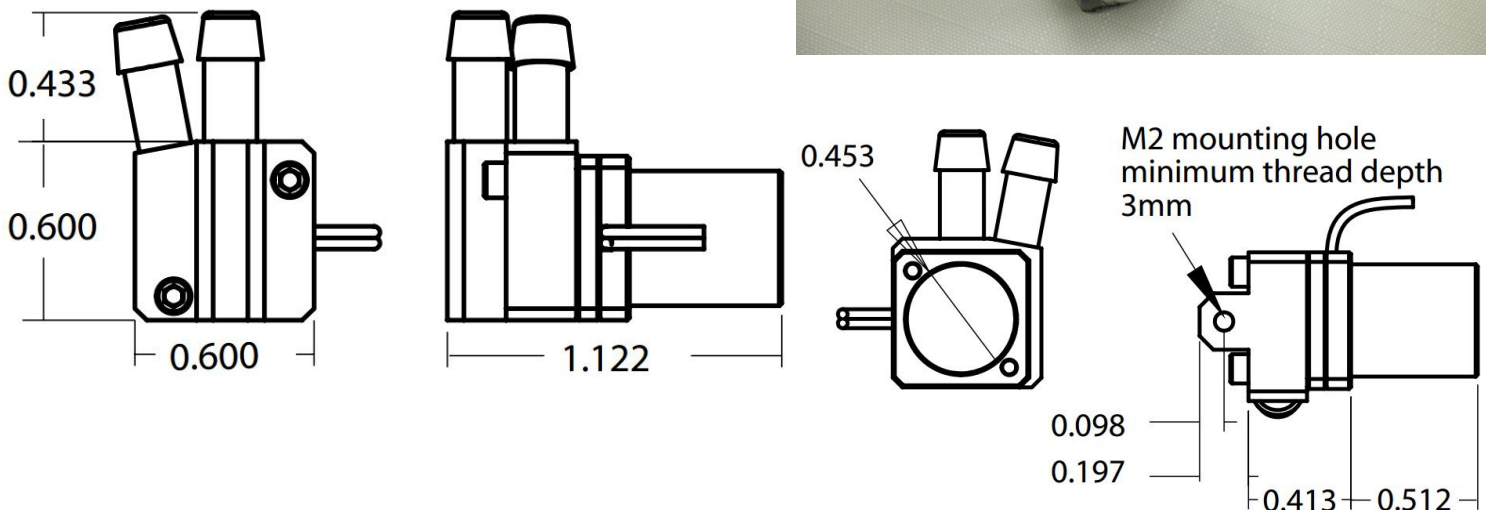


### Features

- CNC aluminum alloy construction
- Quiet, pulseless, smooth flow
- Wide range of chemical resistance
- Can be submersed or used in-line
- Viton® seals are standard
- Can be customized
- Stainless steel tubing ports



### Dimensions in inches



### Specifications

- 3.0 VDC nominal (2 VDC min, 4.5 VDC max) 0.420 amps @ 4.5 VDC 1.9 watt
- Flow rate: 11 GPH @ 0 feet head, maximum lift 60 inches
- Maximum pressure: 3.4 psi
- Use with 0.1563 (5/32) inch ID inlet outlet tubing
- Weight: 0.5 ounces
- Runtime using AA batteries: ~ 6.7 Hours
- Wetted parts: aluminum, 316 SS, polyacetal, and Viton®

**SimplyPumps.com**

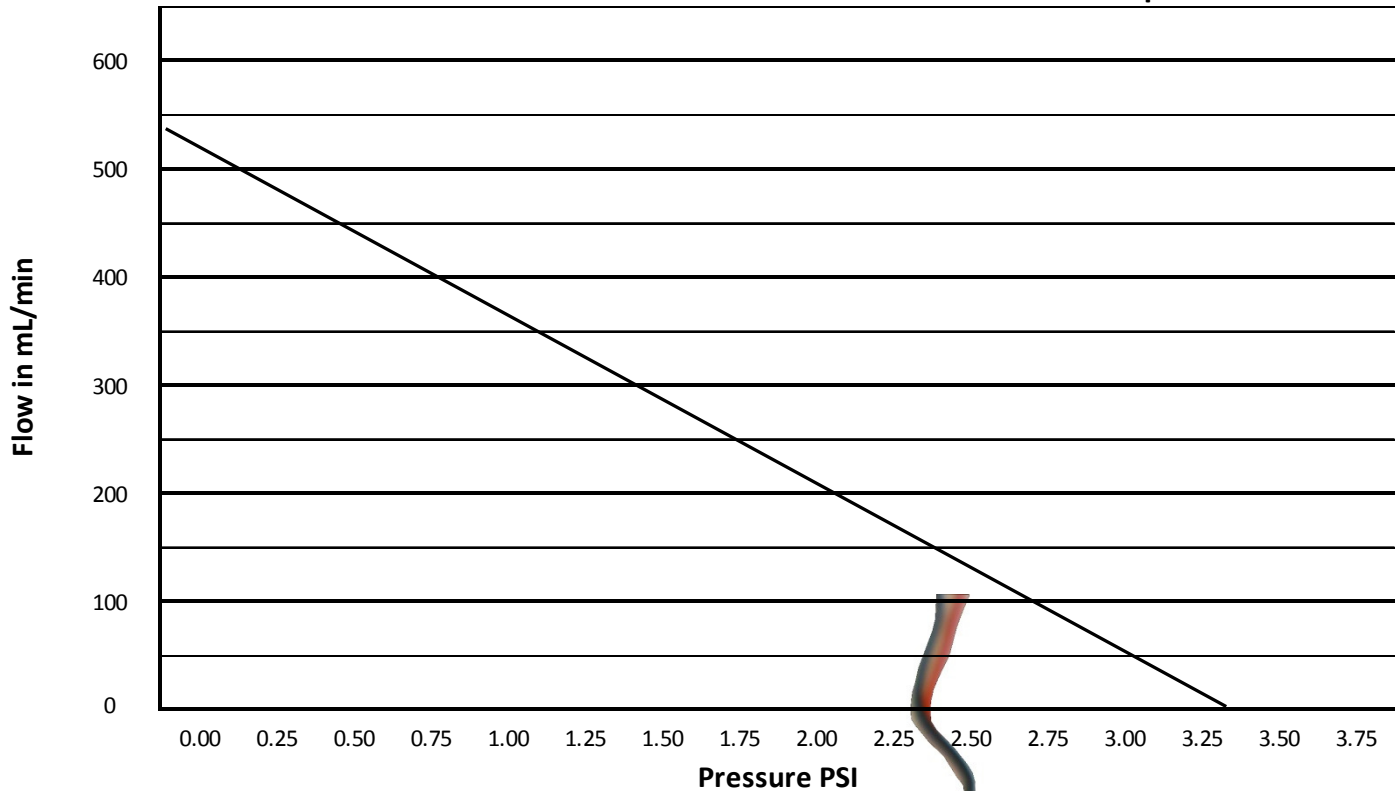
**724-864-5959**

# data sheet

## model HP200S



Flow vs. Pressure Curve HP200S with Water 4.5 VDC Input



**SimplyPumps.com**

**724-864-5959**