

data sheet

model HP250DBL

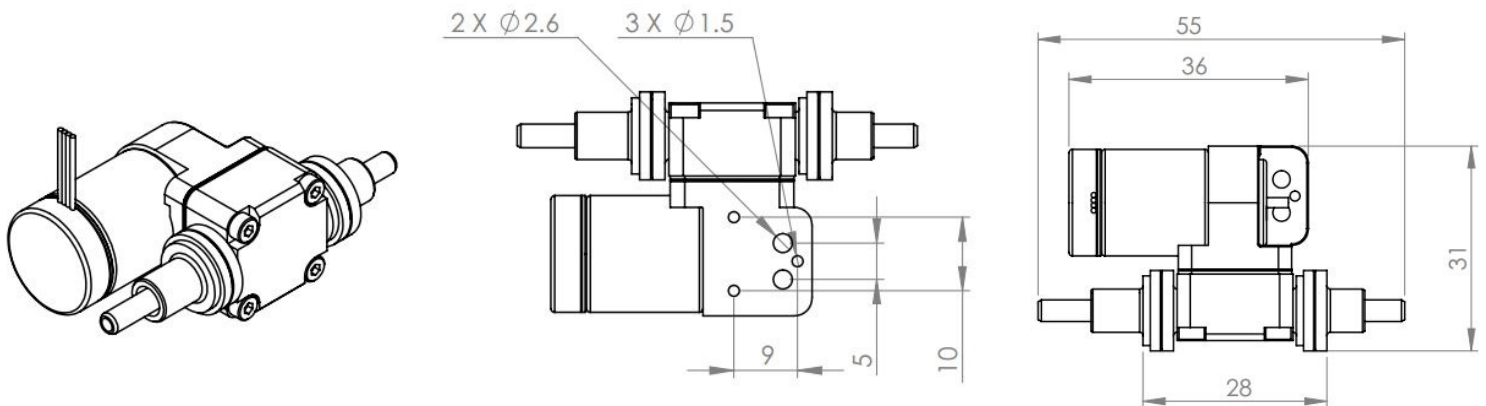


Features

- Self-priming
- Pumps liquid and/or gases
- Brushless motor with integrated driver
- Low power consumption
- EPDM diaphragm with aluminum pump head
- Sealed, oil free pumping chamber
- Accepts 3 to 6 VDC input voltage
- Vary input VDC to control flow

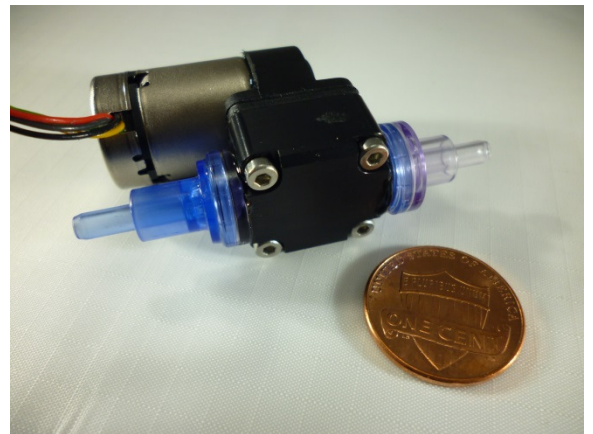


Dimension in mm



Specifications

- 6 VDC - 0.40 amps – 2.4 watt
- Free Flow Rate: 160 ml/min water
- Free Flow Rate: 610 ml/min air
- Pressure: 340 mBar - 5 psi
- Dimensions: 2.125 x 1.225 x 0.700 inches
- Use with 0.0938 (3/32) inch ID tubing
- Weight: 1.0 ounces



PO BOX 677 Manor PA 15665 724 864 5959

Specifications are subject to change without notice. No liability or warranty implied by this information. Copyright © 2017 Simply Pumps
Revised 1/21/17 R1