

data sheet

model HP400S

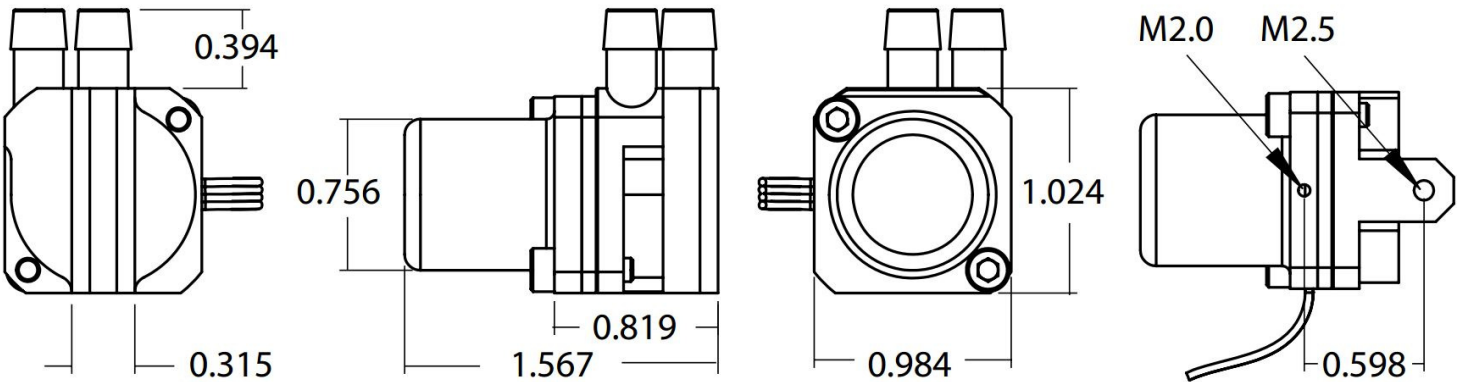


Features

- Accepts 3 to 12 VDC input voltage
- Can be submersed or used in-line
- Brushless motor with internal driver
- Stainless steel tubing connectors
- Viton® seals are standard
- Wide range of chemical compatibility
- Quiet, pulseless, smooth flow
- Aluminum alloy construction
- Vary input VDC to control flow



Dimensions in inches



Specifications

- 12 VDC - 0.5 amps - 6 watt
- Flow Rate: 40 GPH or 2.5 l/min
- Weight: 1.2 Ounces
- Dimensions: 2.800 x 1.250 x 1.200 inches
- Use with 0.250 (1/4) inch ID tubing
- Wetted Parts: aluminum, 316 SS, polyacetal impeller, and Viton®



SimplyPumps.com

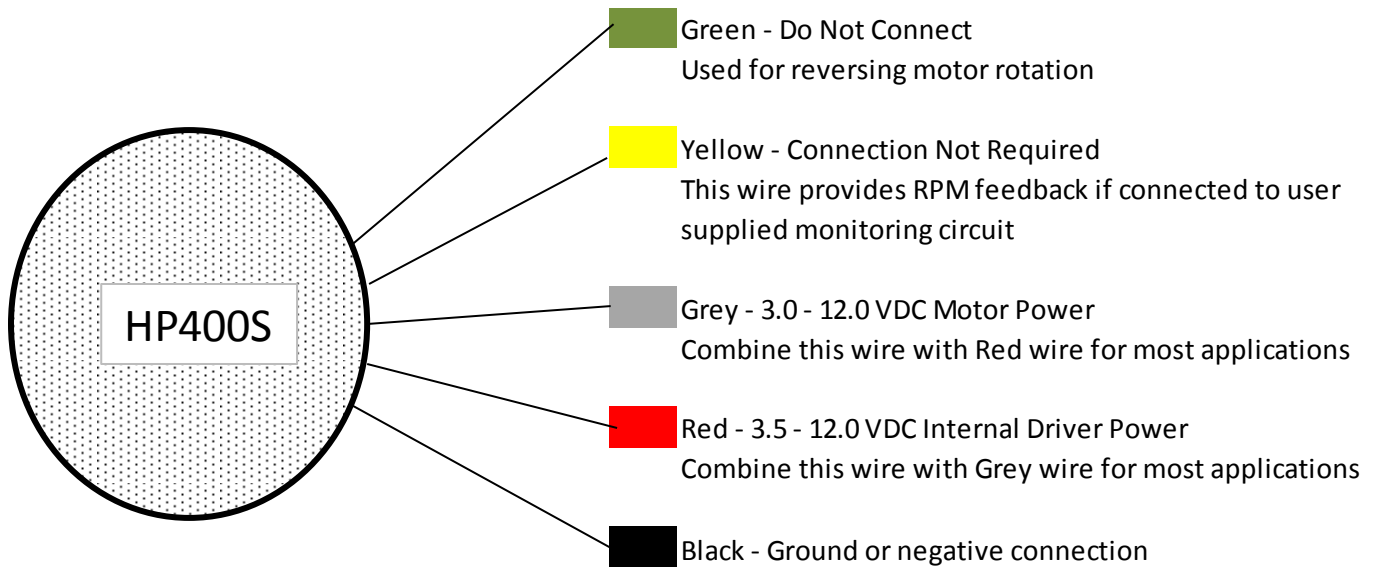
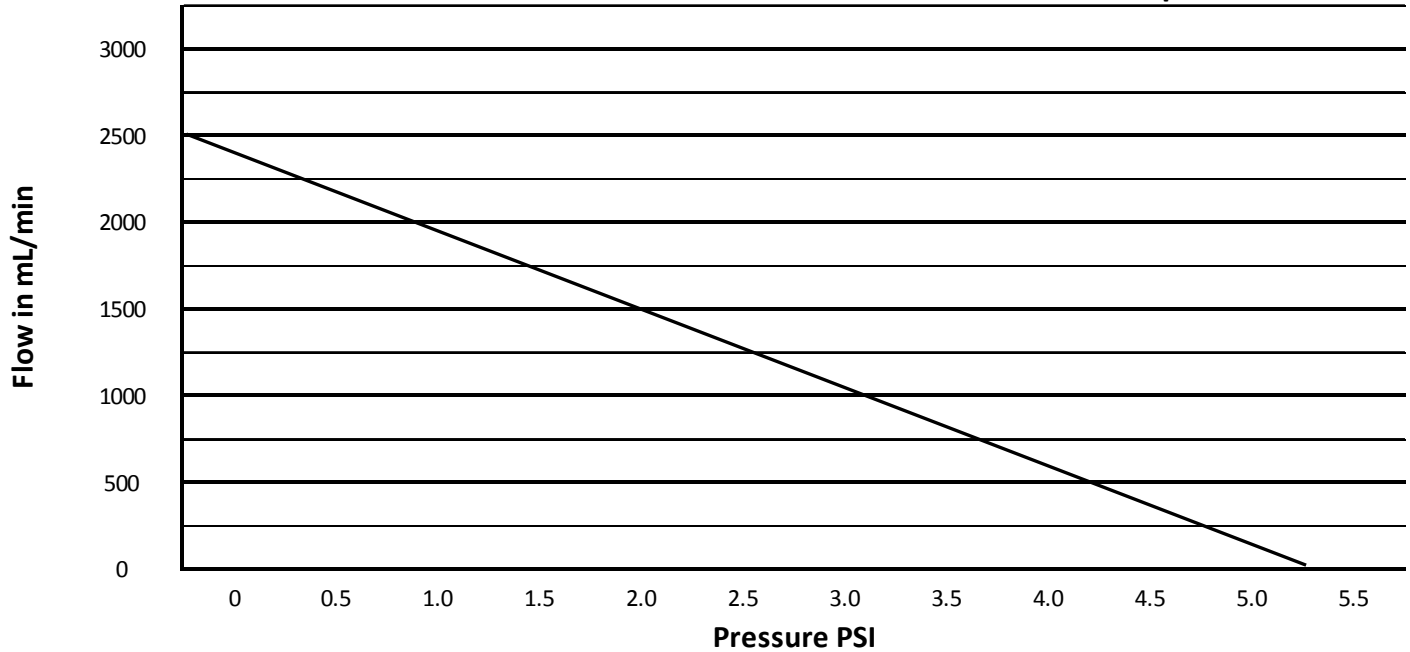
724-864-5959

data sheet

model HP400S



Flow vs. Pressure Curve HP400S with Water 12 VDC Input



SimplyPumps.com

724-864-5959