

data sheet

model HP500S12

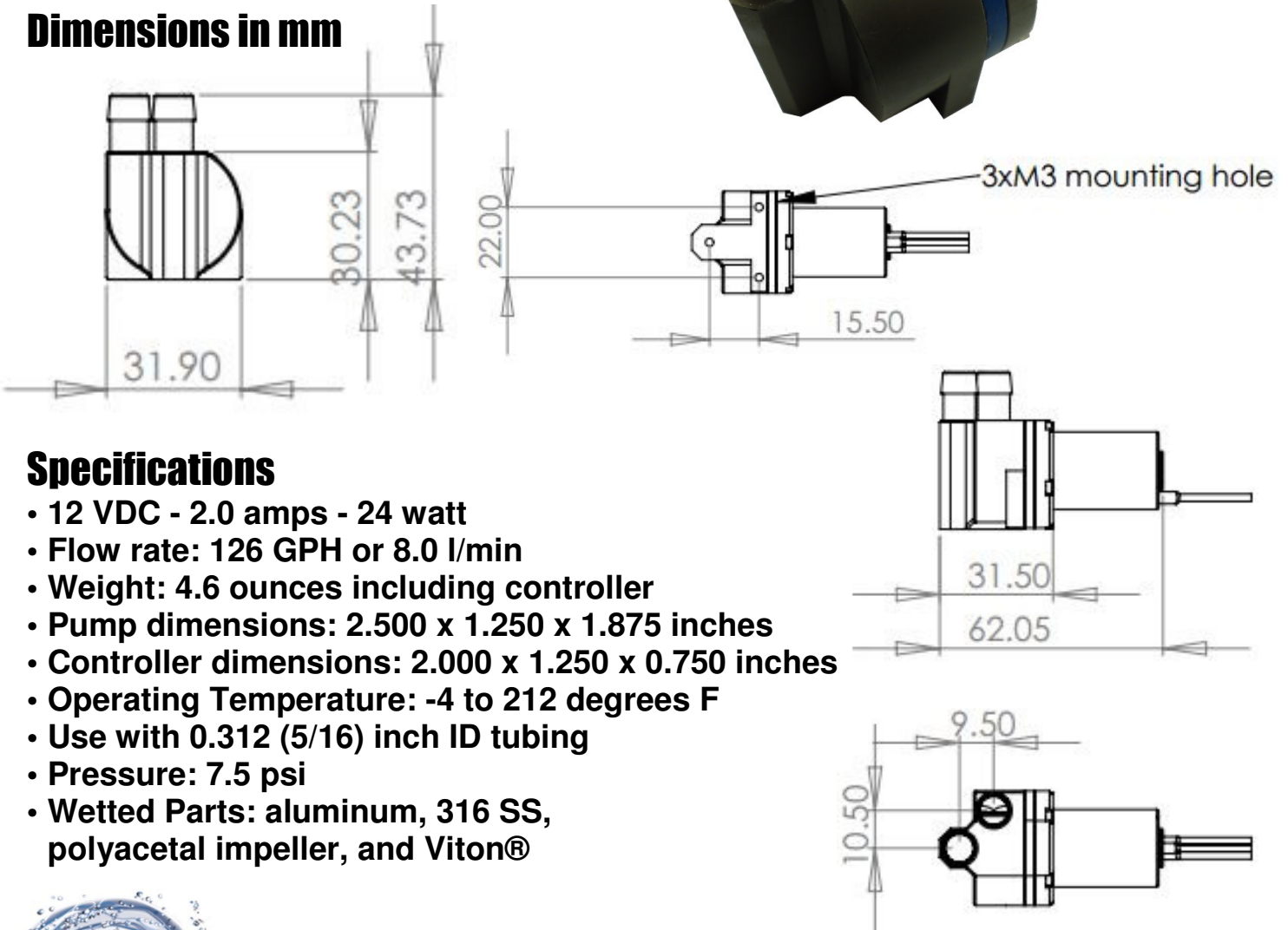


Features

- Stainless steel tubing connectors
- Polyacetal impeller and PTFE seals
- Brushless motor with external driver
- Can be submersed or used in-line
- Wide range of chemical resistance
- Quiet, pulseless, smooth flow
- Aluminum alloy construction
- Vary input VDC to control flow



Dimensions in mm



Specifications

- 12 VDC - 2.0 amps - 24 watt
- Flow rate: 126 GPH or 8.0 l/min
- Weight: 4.6 ounces including controller
- Pump dimensions: 2.500 x 1.250 x 1.875 inches
- Controller dimensions: 2.000 x 1.250 x 0.750 inches
- Operating Temperature: -4 to 212 degrees F
- Use with 0.312 (5/16) inch ID tubing
- Pressure: 7.5 psi
- Wetted Parts: aluminum, 316 SS, polyacetal impeller, and Viton®



PO BOX 677 Manor PA 15665 724 864 5959

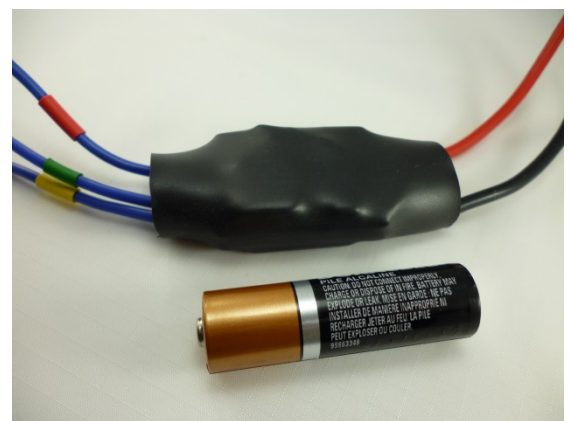
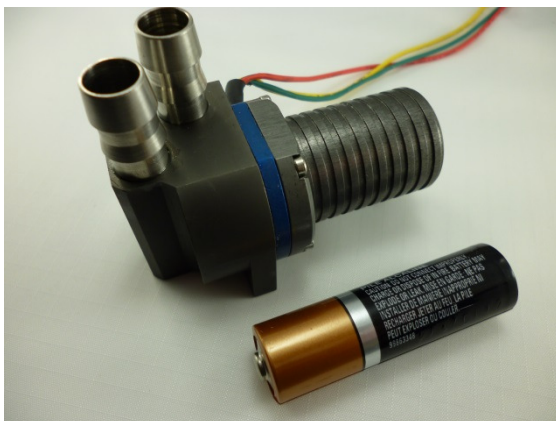
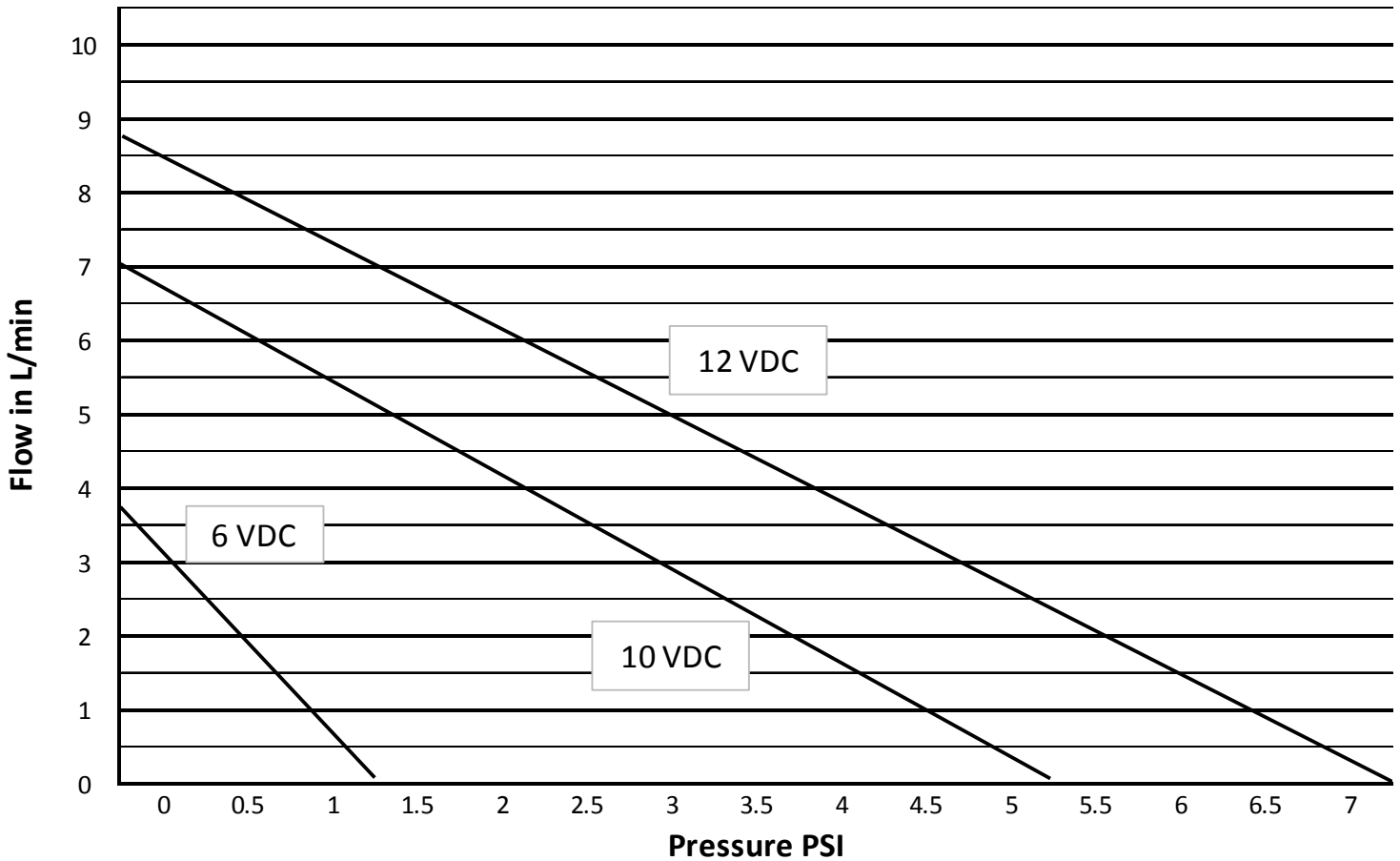
Specifications are subject to change without notice. No liability or warranty implied by this information. Copyright © 2017 Simply Pumps
Revised 1/21/17 R1

data sheet

model HP500S12



Flow vs. Pressure Curve HP500S12 with Water



PO BOX 677 Manor PA 15665 724 864 5959

Specifications are subject to change without notice. No liability or warranty implied by this information. Copyright © 2017 Simply Pumps
Revised 1/21/17 R1