

# data sheet

## model HP500S24

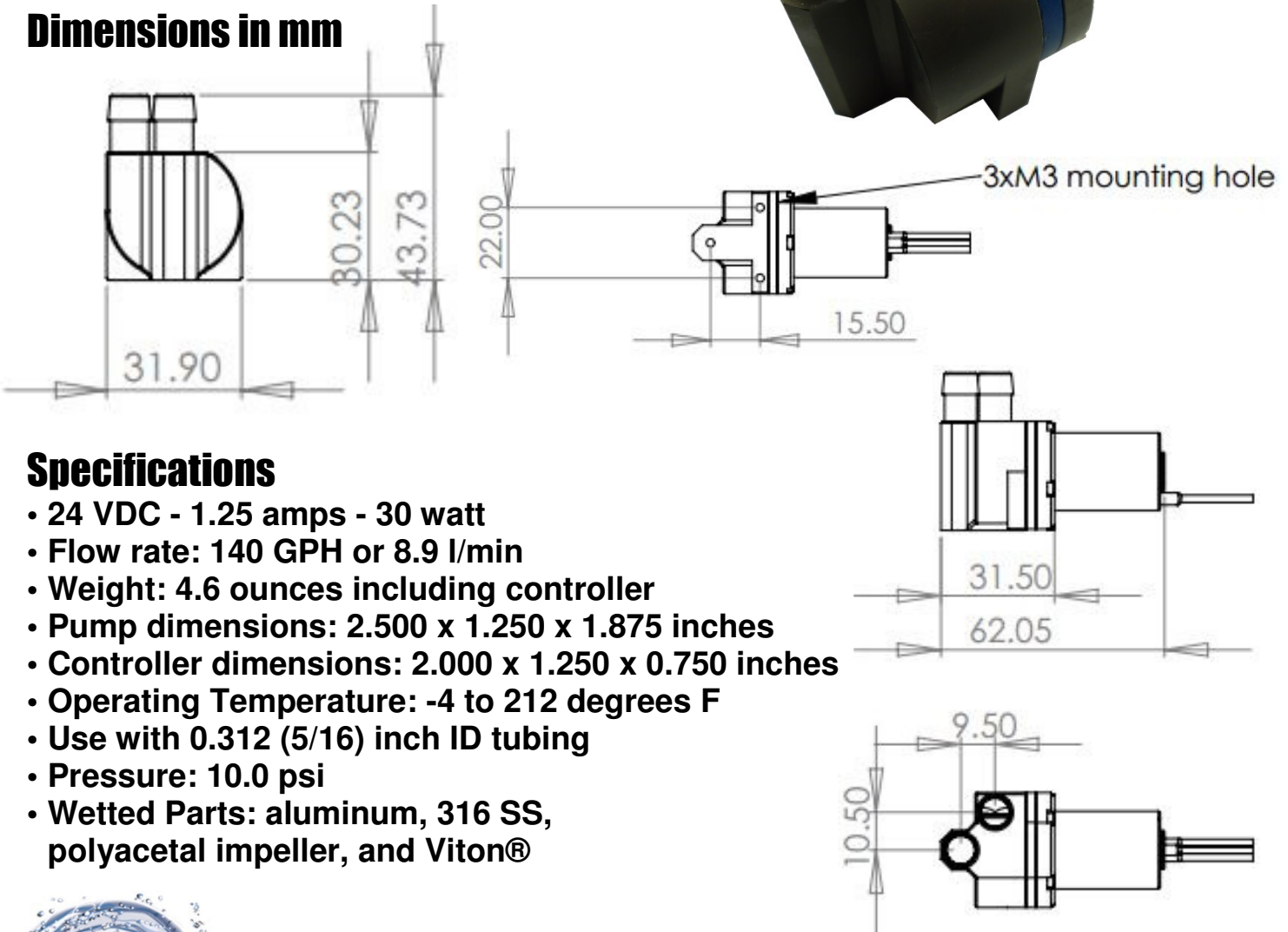


### Features

- Stainless steel tubing connectors
- Polyacetal impeller and PTFE seals
- Brushless motor with external driver
- Can be submersed or used in-line
- Wide range of chemical resistance
- Quiet, pulseless, smooth flow
- Aluminum alloy construction
- Vary input VDC to control flow



### Dimensions in mm



### Specifications

- 24 VDC - 1.25 amps - 30 watt
- Flow rate: 140 GPH or 8.9 l/min
- Weight: 4.6 ounces including controller
- Pump dimensions: 2.500 x 1.250 x 1.875 inches
- Controller dimensions: 2.000 x 1.250 x 0.750 inches
- Operating Temperature: -4 to 212 degrees F
- Use with 0.312 (5/16) inch ID tubing
- Pressure: 10.0 psi
- Wetted Parts: aluminum, 316 SS, polyacetal impeller, and Viton®



**PO BOX 677 Manor PA 15665 724 864 5959**

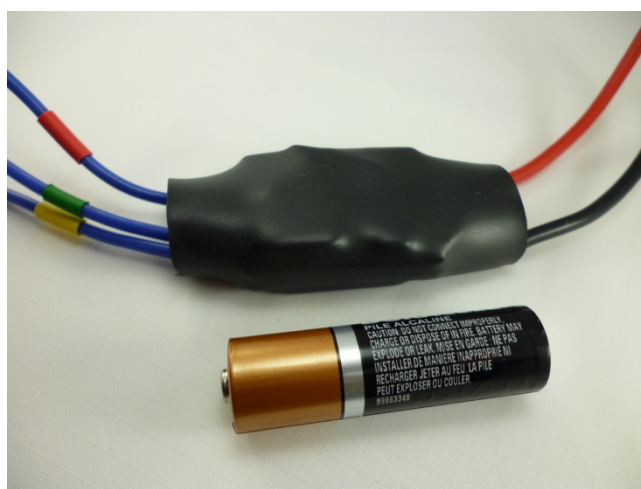
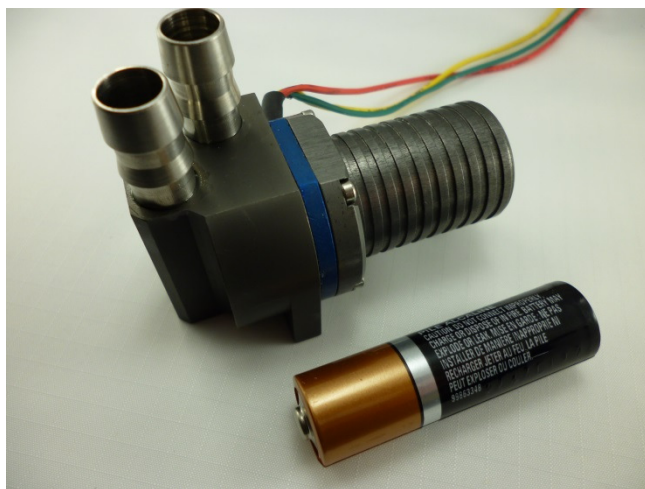
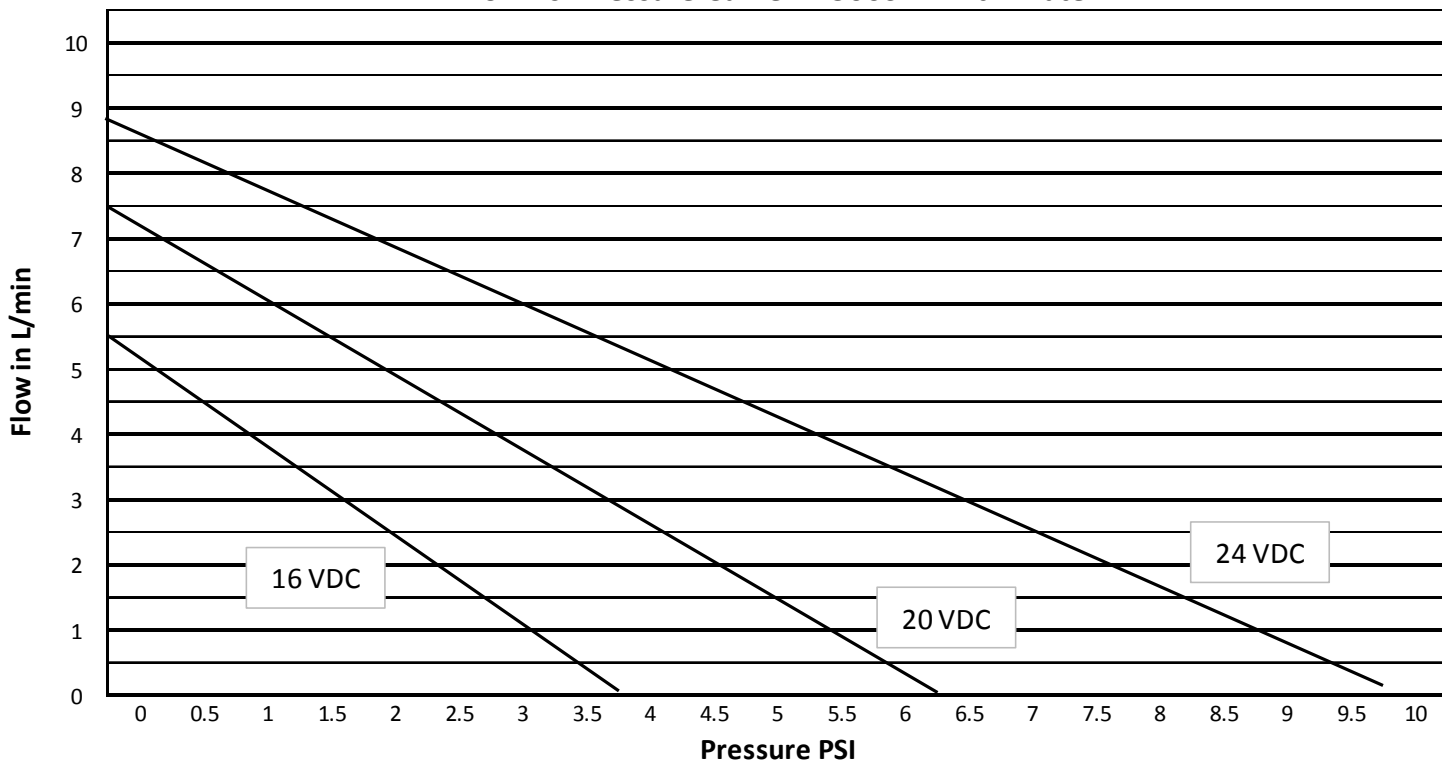
Specifications are subject to change without notice. No liability or warranty implied by this information. Copyright © 2017 Simply Pumps  
Revised 1/21/17 R1

# data sheet

## model HP500S24



Flow vs. Pressure Curve HP500S24 with Water



**PO BOX 677 Manor PA 15665 724 864 5959**

Specifications are subject to change without notice. No liability or warranty implied by this information. Copyright © 2017 Simply Pumps  
Revised 1/21/17 R1