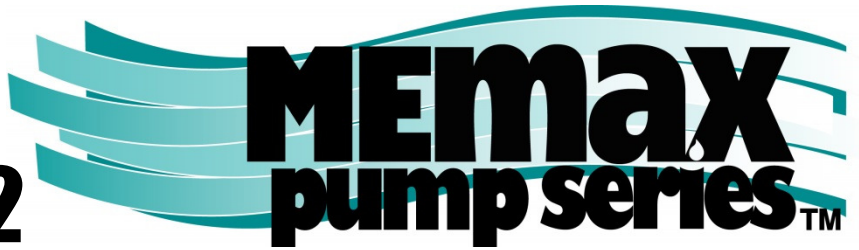


data sheet

model MMHY1012

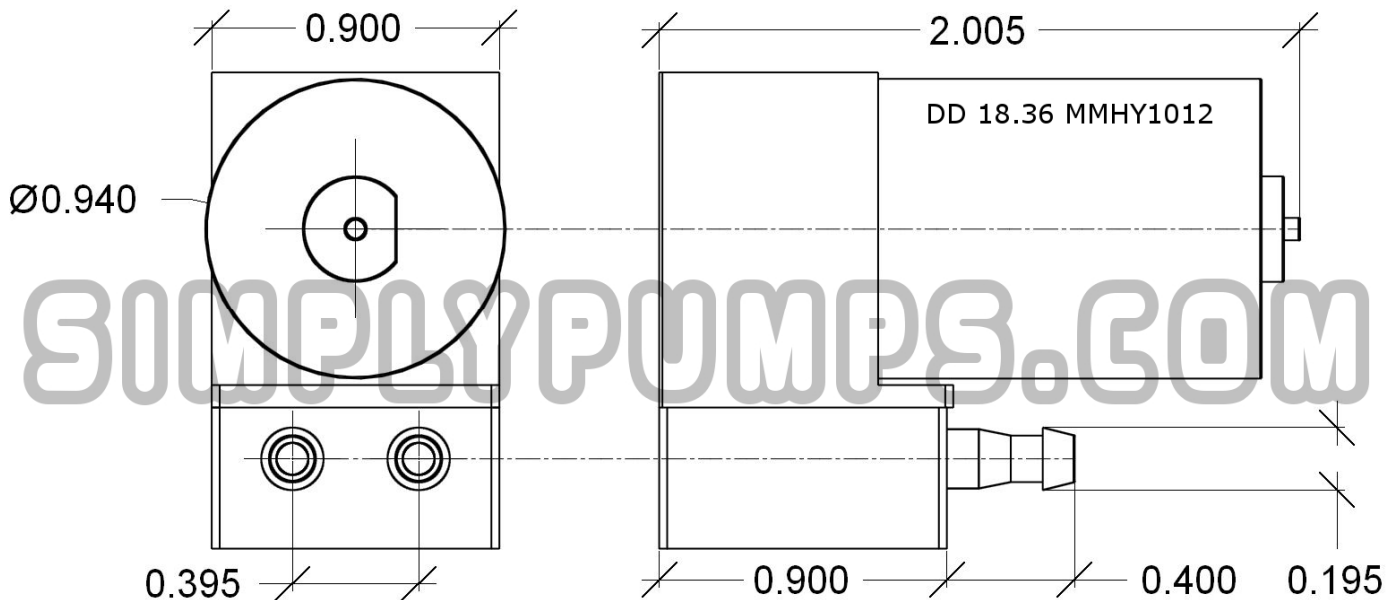


Features

- Inline diaphragm pump
- Self priming
- Great for water and thicker fluids
- Compact and economical
- Variable flow using our flow controllers

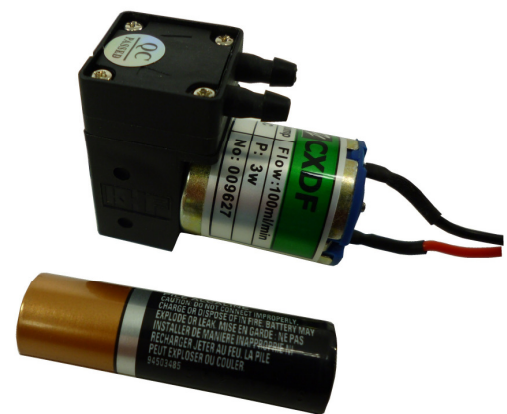


Dimensions



Specifications

- 12 VDC - 0.250 amps – 3 watt
- Flow Rate: 100 ml/min
- Inlet outlet tubing ID: 5/32" ID
- Dimensions: 2.005 x 0.940 x 1.500
- Weight: 2.5 ounces
- Lead wires: 18 inches long



SimplyPumps.com

724-864-5959