

# data sheet

## model PM3000

# PERImax

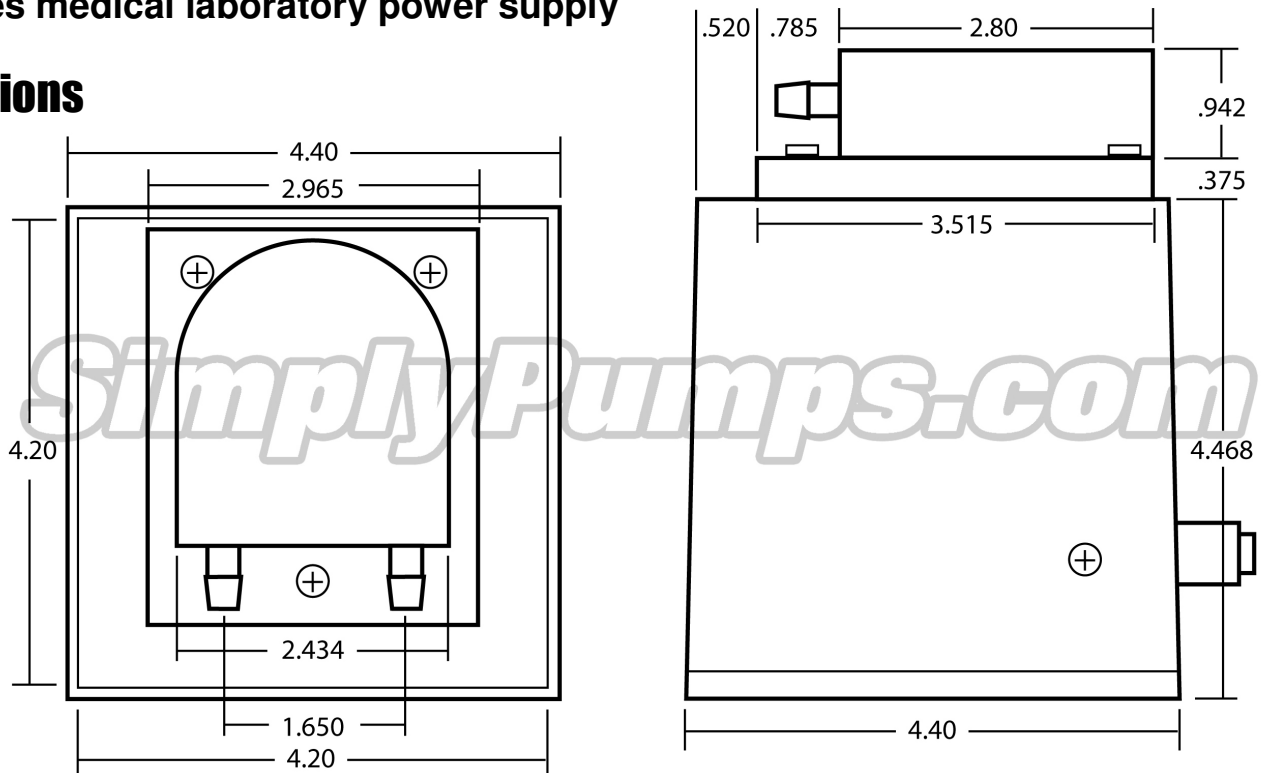
## pump series™

### Features

- Rugged PVC enclosure, laboratory design
- Industrial grade, made in the USA
- Accurate for dispensing and/or metering applications
- Excellent dry running characteristics
- Can pump slurries with high particulate content
- Can pump fluid and gas/air
- Self-priming
- Integrated variable speed circuit
- 10 turn precision potentiometer speed adjustment
- Fluid only contacts the inside of the tubing
- Easily replace tube set in minutes
- Pumps extremely hot or cold fluids
- 9 tubing materials in stock to match your application
- Brushless and stepper motor versions in stock
- Includes medical laboratory power supply



### Dimensions



**PO BOX 677 Manor PA 15665 724 864 5959**

Specifications are subject to change without notice. No liability or warranty implied by this information. Copyright © 2016 Simply Pumps  
Revised 4/21/16

# data sheet model PM3000



## Specifications

- 12 VDC - 1.5 amps - 18 watt
- Maximum flow rate and psi: 1100 ml/min and 30 psi
- 12 VDC – 6.0 amp regulated power supply
- Maximum suction lift: 20 feet
- Dimensions: 4.400 x 4.400 x 5.785 inches, Weight: 47.0 ounces
- Use with 0.250 inch or 0.187 inch tubing ID



The tubing type, fluid viscosity, and back pressure will determine actual flow rate, psi and current consumption.

Stock Tubing Materials	Simply Pumps Suffix	Durometer Rating	Temperature Range °F		Coupler Material
			Low	High	
Norprene® Food Grade	F	61	-75	275	Polypropylene
Norprene® Industrial	N	61	-75	275	Polypropylene
Norprene® Chemical	C	61	-75	165	PVDF (Kynar)
Prothane II™ Polyester Polyurethane	P	70	-35	175	PVDF (Kynar)
Tygon® Fuel and Lubricant	T	57	0	165	Polypropylene
Tygoprene®	G	60	-87	250	Polypropylene
Tygon® Extra Long Life	E	56	-51	165	Polypropylene
Versilic® Silicone	S	50	-75	350	Polypropylene
Viton®	V	60	-25	400	PVDF (Kynar)

Norprene, Tygon, Tygoprene, and Versilic are registered trademarks of Saint-Gobain Performance Plastics. Viton is a registered trademark of DuPont Performance Elastomers LLC. Vytex and Prothane II are trademarks of Randolph Austin Company



Tube Set Part Numbers		
Stock Tubing Materials	300 and 3000 Series	
Tubing ID x OD	1/4 x 3/8	3/16 x 5/16
Norprene® Food Grade	TS300F	TS303F
Norprene® Industrial	TS300N	TS303N
Norprene® Chemical	TS300C	TS303C
Prothane II™	TS300P	Special Order
Tygon® Fuel and Lubricant	TS300T	TS303T
Tygoprene®	TS300G	TS303G
Tygon® Extra Long Life	TS300E	TS303E
Versilic® Silicone	TS300S	TS303S
Viton®	TS300V	TS303V



**PO BOX 677 Manor PA 15665 724 864 5959**

Specifications are subject to change without notice. No liability or warranty implied by this information. Copyright © 2016 Simply Pumps  
Revised 4/21/16