

data sheet

model PM312

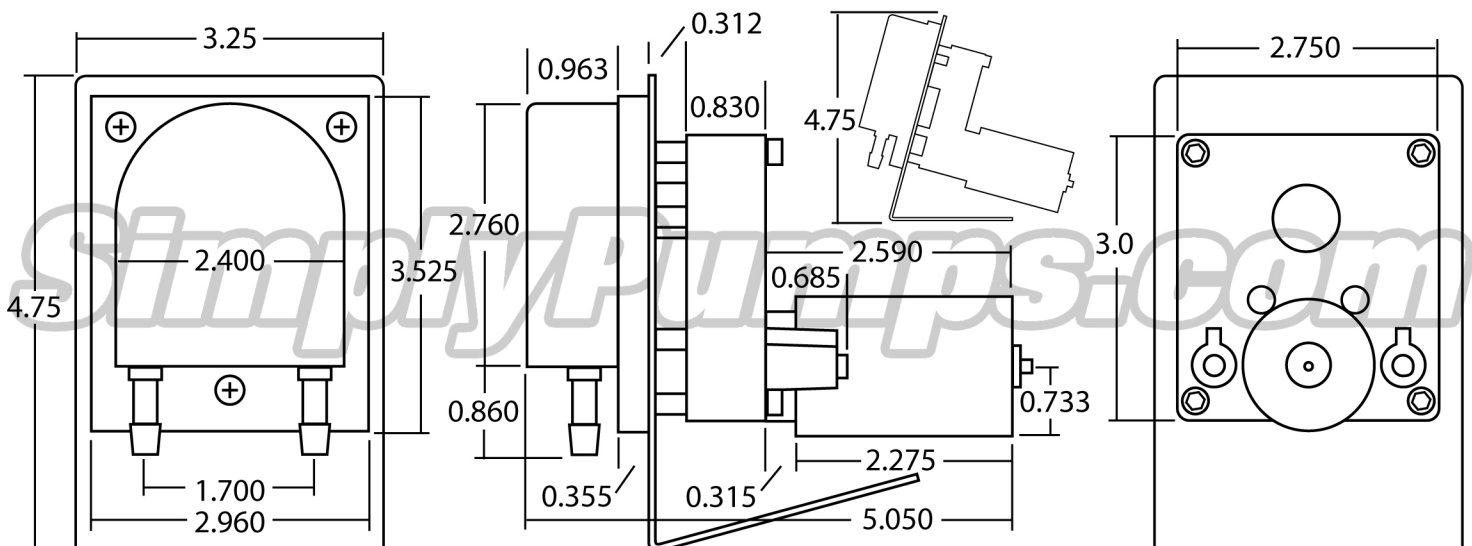


Features

- Robust OEM gear box, 2 roller design
- Industrial grade, made in the USA
- Perfect for dosing, dispensing and metering
- Excellent dry running characteristics
- Can pump fluid and gas/air
- Self-priming
- Variable speed using our PWM flow controller
- Fluid only contacts the inside of the tubing
- Easily replace tube set in minutes
- Pumps extremely hot or cold fluids
- Large selection of options and variations
- Can pump slurries with high particulate content
- Compatible with many chemicals and aggressive fluids
- 9 tubing materials in stock to match your application
- Brushless and stepper motor versions in stock
- Foot mount version of our PM300 peristaltic pump



Dimensions



PO BOX 677 Manor PA 15665 724 864 5959

Specifications are subject to change without notice. No liability or warranty implied by this information. Copyright © 2017 Simply Pumps
Revised 1/21/17 R1

data sheet model PM312



Specifications

- 12 VDC - 1.25 amps - 15 watt – minimum
- 12 VDC - 2.50 amps - 30 watt – maximum
- Maximum flow rate and psi: 1270 ml/min and 30 psi
- Maximum suction lift: 20 feet
- Dimensions: 3.250 x 4.750 x 5.250 inches
- Weight: 34.0 ounces
- Use with 0.250 inch or 0.187 inch ID tubing



The tubing type, fluid viscosity, and back pressure will determine actual flow rate, psi and current consumption.

Stock Tubing Materials	Simply Pumps Suffix	Durometer Rating	Temperature Range °F		Coupler Material
			Low	High	
Norprene® Food Grade	F	61	-75	275	Polypropylene
Norprene® Industrial	N	61	-75	275	Polypropylene
Norprene® Chemical	C	61	-75	165	PVDF (Kynar)
Prothane II™	P	70	-35	175	PVDF (Kynar)
Tygon® Fuel and Lubricant	T	57	0	165	Polypropylene
Tygoprene®	G	60	-87	250	Polypropylene
Tygon® Extra Long Life	E	56	-51	165	Polypropylene
Versilic® Silicone	S	50	-75	350	Polypropylene
Viton®	V	60	-25	400	PVDF (Kynar)

Norprene, Tygon, Tygoprene, and Versilic are registered trademarks of Saint-Gobain Performance Plastics. Viton is a registered trademark of DuPont Performance Elastomers LLC. Vytex and Prothane II are trademarks of Randolph Austin Company



Tube Set Part Numbers

Stock Tubing Materials	For all versions of our PM300 and PM3000 pumps	
	1/4 x 3/8	3/16 x 5/16
Tubing ID x OD		
Norprene® Food Grade	TS300F	TS303F
Norprene® Industrial	TS300N	TS303N
Norprene® Chemical	TS300C	TS303C
Prothane II™	TS300P	Special Order
Tygon® Fuel and Lubricant	TS300T	TS303T
Tygoprene®	TS300G	TS303G
Tygon® Extra Long Life	TS300E	TS303E
Versilic® Silicone	TS300S	TS303S
Viton®	TS300V	TS303V



PO BOX 677 Manor PA 15665 724 864 5959

Specifications are subject to change without notice. No liability or warranty implied by this information. Copyright © 2017 Simply Pumps
Revised 1/21/17 R1