

data sheet

models PM600

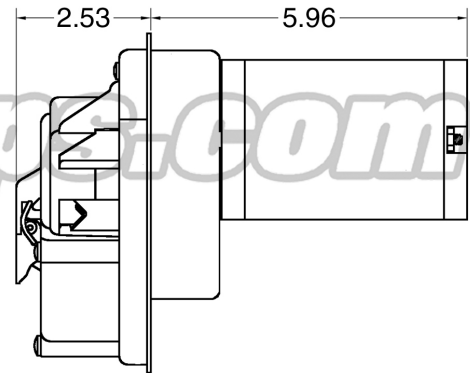
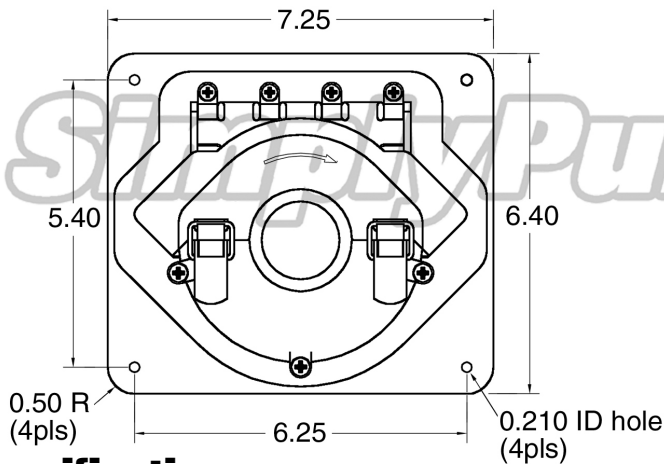
PM600.24

PERIMax pump series™



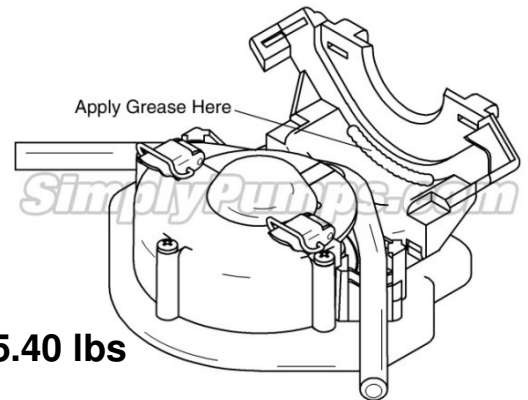
Features

- High flow rate and self-priming
- Excellent dry running characteristics
- Can pump slurries with high particulate content
- Designed for 1/8 inch wall tubing
- Variable speed using our VFC10 flow controllers
- Continuous duty, UL Recognized DC motor
- Fluid only contacts the inside of the tubing
- Made in USA, heavy duty construction
- Pumps extremely hot or cold fluids
- 24 volt motors and stepper motors are available
- Compatible with many chemicals and aggressive fluids



Specifications

- 12 VDC – 3.5 amps - 42 watt
- 24 VDC – 1.75 amps - 42 watt
- Maximum flow rate: 6.0 liters per minute
- 20 psi – can be customized for higher psi
- Maximum suction lift: 20 feet
- Dimensions: 7.250 x 6.400 x 8.400 inches, weight: 5.40 lbs
- Tubing: 0.375 inch ID with 0.125 inch thick wall



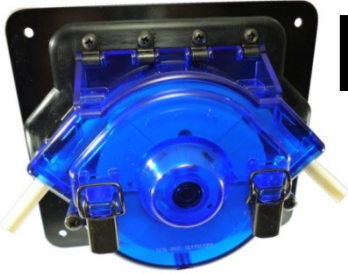
PO BOX 677 Manor PA 15665 724 864 5959

Specifications are subject to change without notice. No liability or warranty implied by this information. Copyright © 2018 Simply Pumps
Revised 3/12/18 R2

data sheet

models PM600

PM600.24



PERImax

pump series™

Related Products

PM600	12 VDC Heavy Duty Pump for 1/8" Wall Tubing Nylon Cover 5 to 1 Ratio UL Motor
PM600.24	24 VDC Heavy Duty Pump for 1/8" Wall Tubing Nylon Cover 5 to 1 Ratio UL Motor
PM610	12 VDC Heavy Duty Pump for 1/8" Wall Tubing Nylon Cover 12.5 to 1 Ratio UL Motor
PM610.24	24 VDC Heavy Duty Pump for 1/8" Wall Tubing Nylon Cover 12.5 to 1 Ratio UL Motor
PM630	12 VDC Heavy Duty Pump for 3/32" Wall Tubing Nylon Cover 5 to 1 Ratio UL Motor
PM630.24	24 VDC Heavy Duty Pump for 3/32" Wall Tubing Nylon Cover 5 to 1 Ratio UL Motor
PM640	12 VDC Heavy Duty Pump for 1/16, 3/32, and 1/8 Wall Tubing Polycarbonate Cover 5 to 1 Ratio UL Motor
PM640.24	24 VDC Heavy Duty Pump for 1/16, 3/32, and 1/8 Wall Tubing Polycarbonate Cover 5 to 1 Ratio UL Motor
PMST650	Heavy Duty 24-48 VDC Stepper Motor Pump for 1/8" Wall Tubing Nylon Cover 5 to 1 Ratio No Stepper Driver
PMST652	Heavy Duty 24-48 VDC Stepper Motor Pump for 1/8" Wall Tubing Nylon Cover 12.5 to 1 Ratio No Stepper Driver
PM6000	Extreme Duty 90 GPH Series 6000 Field Pump
PM6000LAB	Laboratory PM600 Pump with Enclosure, AC Power, Tube Set Sampler, Variable Speed, Fully Assembled
PSOF36.97	Regulated Power Supply Open Frame 36 Volt 9.7 Amp 349.2 Watt for Stepper
PSOF36.88	Regulated Power Supply Open Frame 36 Volt 8.8 Amp 316.8 Watt for Stepper
PSOF24.625	Regulated Power Supply Open Frame 24 Volt 6.25 Amp 150 Watt for Standard Motor
PSOF12.125	Regulated Power Supply Open Frame 12 Volt 12.5 Amp 150 Watt for Standard Motor
LC18.3	Line Cord 18 AWG for open frame power supply
FH3AG18	In Line 3AG Fuse Holder for open frame power supply 18 AWG
FH3AG14	In Line 3AG Fuse Holder for Open Frame Power Supply 14 AWG
SG100	PeriMax1/2 OZ Synthetic Grease for PeriMax Pumps
SMC8A	Stepper Motor Controller 40 VDC 8 Amp with Simple PLC or Potentiometer Control
PMR600.16	PeriMax Multiflex Rotor for 600/6000 Series Pump for 1/16" to 1/8" Wall Thickness Tubing
PMR600.18	PeriMax Rotor for 600/6000 Series Pump for 1/8" Wall Thickness Tubing
PMR600.32	PeriMax Rotor for 600/6000 Series Pump for 3/32" Wall Thickness Tubing
PGPM600	PeriMax Series PM600 EPDM Panel Gasket 1/8" Thick 50 Durometer



PO BOX 677 Manor PA 15665 724 864 5959

Specifications are subject to change without notice. No liability or warranty implied by this information. Copyright © 2018 Simply Pumps
Revised 3/12/18 R2

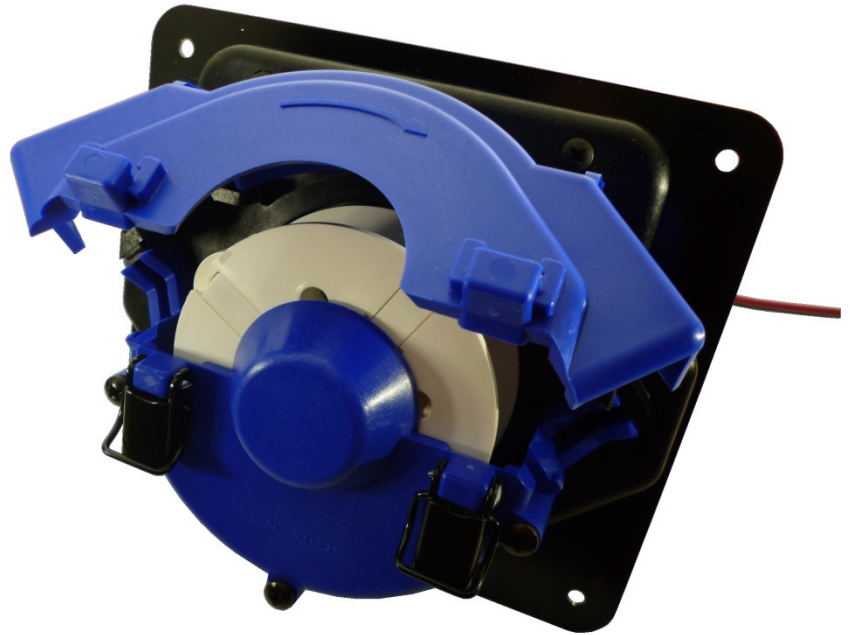
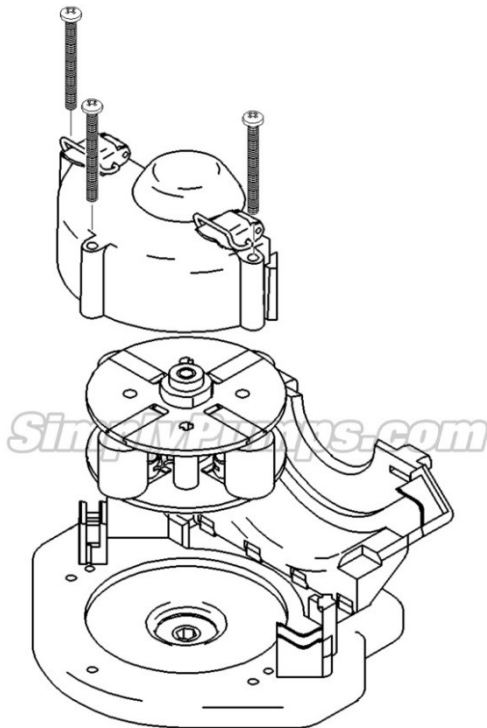
data sheet

models PM600

PM600.24



Tube Set Part Number				
Stock Tubing Materials	All Versions of the PM600 Pump			
Norprene® Food Process A-60F	TS600F	NA	NA	TS606F
Norprene® Industrial Grade A-60G	TS600N	TS6832N	TS6532N	TS606N
Prothane II™	TS600P	Special Order		TS606P
Tygon® Fuel and Lubricant F-4040-A	TS600T	NA	NA	NA
Tygon S3™ E-3603 Laboratory	TS600L	TS6832L	TS6532L	TS606L
Versilic® Silicone SPX-50	TS600S	TS6832S	TS6532S	TS606S
Soft Viton® High Temperature	Special Order	NA	NA	Special Order
Vytex® Clear Polyvinyl	TS600Y	Special Order		TS606Y
<i>All Tube Sets Include Straight Tube Couplers</i>	3/8 x 5/8	3/8 x 9/16	5/16 x 1/2	1/4 x 1/2
	Tubing ID x OD			



Norprene, Tygon, Tygoprene, and Versilic are registered trademarks of Saint-Gobain Performance Plastics. Viton is a registered trademark of DuPont Performance Elastomers LLC. Vytex and Prothane II are trademarks of Randolph Austin Company



PO BOX 677 Manor PA 15665 724 864 5959

Specifications are subject to change without notice. No liability or warranty implied by this information. Copyright © 2018 Simply Pumps
Revised 3/12/18 R2