

# data sheet model PM6000

# PERImax pump series™

## Portable Peristaltic Tubing Pump

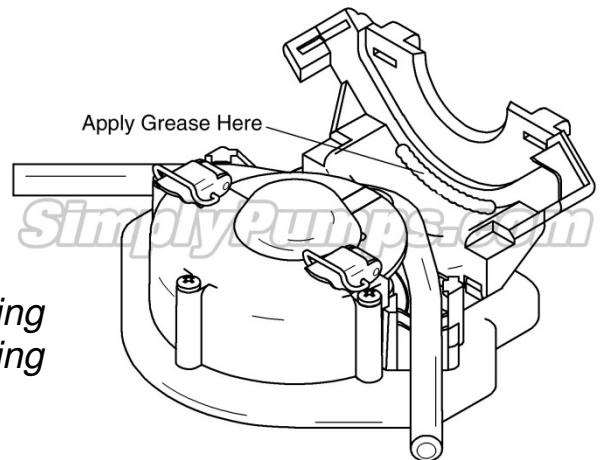
### Features

- High flow rate and self-priming
- Excellent dry running characteristics
- Can pump slurries with high particulate content
- Dual power – 40 minute run time using battery
- Variable speed reversible flow
- Continuous duty, permanent magnet DC motor
- Fluid only contacts the inside of the tubing
- Made in USA, heavy duty construction
- Pumps extremely hot or cold fluids
- Designed for 1/8 inch wall tubing
- Quick tube set replacement without tools
- Compatible with many chemicals and aggressive fluids
- See page 2 for available tube sets



### Specifications

- 120 VAC, 60 Hz, 1.4 amps, 1 phase
- 12 volt, 7.2 amp hour sealed lead acid battery
- Transfer rate of water at 20 psi head pressure:
  - 1.2 - 6.0 LPM using 3/8 inch ID x 5/8 inch OD Tubing*
  - 0.6 - 3.0 LPM using 1/4 inch ID x 1/2 inch OD Tubing*
- Maximum flow rate: 6.0 liters per minute
- 20 psi: maximum pressure
- Maximum suction lift: 25 feet using 0.250 ID tubing
- Dimensions 9.500 x 10.000 x 10.500 inches, weight: 17 pounds
- Tubing: use with 0.250 to 0.375 inch ID - 0.125 inch thick wall – see page 2



**PO BOX 677 Manor PA 15665 724 864 5959**

Specifications are subject to change without notice. No liability or warranty implied by this information. Copyright © 2017 Simply Pumps  
Revised 1/21/17 R1

# data sheet model PM6000

# PERImax pump series™



Easily disassemble rotor for quick cleaning and Tube Set changes.

## Tube Set Part Number

Stock Tubing Materials	All Versions of the PM600 Pump			
Norprene® Food Grade	TS600F	NA	NA	TS606F
Norprene® Industrial	TS600N	TS6832N	TS6532N	TS606N
Prothane II™	TS600P	Special Order		TS606P
Tygon® Fuel and Lubricant	TS600T	NA	NA	NA
Versilic® Silicone	TS600S	TS6832S	TS6532S	TS606S
Viton®	TS600V	NA	NA	TS606V
Vytex® Clear Polyvinyl	TS600Y	Special Order		TS606Y
<i>All Tube Sets Include Straight Tube Couplers</i>	<b>3/8 x 5/8</b>	<b>3/8 x 9/16</b>	<b>5/16 x 1/2</b>	<b>1/4 x 1/2</b>
	<b>Tubing ID x OD</b>			

Norprene, Tygon, Tygoprene, and Versilic are registered trademarks of Saint-Gobain Performance Plastics. Viton is a registered trademark of DuPont Performance Elastomers LLC. Vytex and Prothane II are trademarks of Randolph Austin Company



**PO BOX 677 Manor PA 15665 724 864 5959**

Specifications are subject to change without notice. No liability or warranty implied by this information. Copyright © 2017 Simply Pumps  
Revised 1/21/17 R1