

# data sheet

## model PM6000LAB

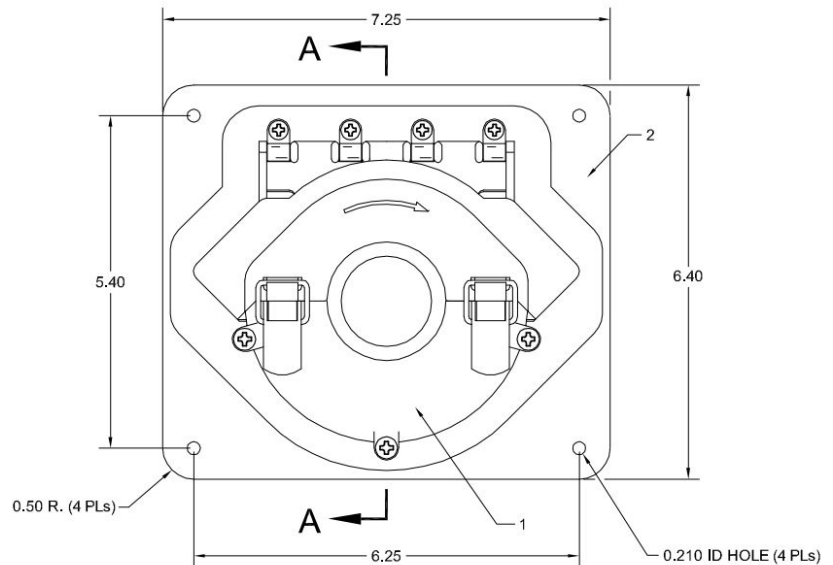
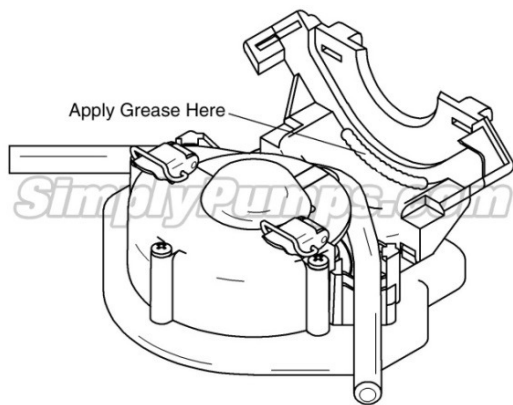
# PERImax pump series™

### Features

- High flow rate and self-priming
- Excellent dry running characteristics
- Can pump slurries with high particulate content
- Designed for 1/8 inch and/or 3/32 inch wall tubing
- Variable speed by ten-turn potentiometer
- Continuous duty, UL Recognized DC motor
- Fluid only contacts the inside of the tubing
- Made in USA, heavy duty construction
- Pumps extremely hot or cold fluids
- Table top or wall mounting hardware included
- Optional tethered on-off switch and/or speed control
- Compatible with many chemicals and aggressive fluids



### Pump Head Dimensions



### Specifications

- Input – 120 VAC, voltage range 88 – 132 VAC
- Maximum flow rate: 7.0 liters per minute
- 20 psi – can be customized for 60 psi
- Maximum suction lift: 20 feet
- Dimensions: 9.250 x 9.500 x 10.250 inches, weight: 12.40 lbs
- Tubing: 0.250 to 0.375 inch ID - 0.125 and/or 0.093 inch wall



**PO BOX 677 Manor PA 15665 724 864 5959**

Specifications are subject to change without notice. No liability or warranty implied by this information. Copyright © 2017 Simply Pumps  
Revised 1/21/17 R1

# data sheet

## model PM6000LAB

# PERImax pump series™

### Related Products

PM600	12 VDC Heavy Duty Pump for 1/8" Wall Tubing Nylon Cover 5 to 1 Ratio UL Motor
PM600.24	24 VDC Heavy Duty Pump for 1/8" Wall Tubing Nylon Cover 5 to 1 Ratio UL Motor
PM610	12 VDC Heavy Duty Pump for 1/8" Wall Tubing Nylon Cover 12.5 to 1 Ratio UL Motor
PM610.24	24 VDC Heavy Duty Pump for 1/8" Wall Tubing Nylon Cover 12.5 to 1 Ratio UL Motor
PM630	12 VDC Heavy Duty Pump for 3/32" Wall Tubing Nylon Cover 5 to 1 Ratio UL Motor
PM630.24	24 VDC Heavy Duty Pump for 3/32" Wall Tubing Nylon Cover 5 to 1 Ratio UL Motor
PM640	12 VDC Heavy Duty Pump with Multiflex Rotor for 1/16, 3/32, and 1/8 Wall Tubing Polycarbonate Cover 5 to 1 Ratio UL Motor
PM640.24	24 VDC Heavy Duty Pump with Multiflex Rotor for 1/16, 3/32, and 1/8 Wall Tubing Polycarbonate Cover 5 to 1 Ratio UL Motor
PM690	12 VDC Heavy Duty Pump for 1/8" Wall Tubing Nylon Cover 12.5 to 1 Ratio UL Motor High PSI
PM690.24	24 VDC Heavy Duty Pump for 1/8" Wall Tubing Nylon Cover 12.5 to 1 Ratio UL Motor High PSI
PMST650	Heavy Duty 24-48 VDC Stepper Motor Pump for 1/8" Wall Tubing Nylon Cover 5 to 1 Ratio No Stepper Driver
PMST660	Heavy Duty 24-40 VDC Stepper Motor Pump with Driver for 1/8" Wall Tubing Nylon Cover 5 to 1 Ratio
PMST652	Heavy Duty 24-48 VDC Stepper Motor Pump for 1/8" Wall Tubing Nylon Cover 12.5 to 1 Ratio No Stepper Driver
PMST662	Heavy Duty 24-40 VDC Stepper Motor Pump with Driver for 1/8" Wall Tubing Nylon Cover 12.5 to 1 Ratio
PMST654	24-48 VDC Stepper Motor Pump with Multiflex Rotor for 1/16, 3/32, and 1/8 Wall Tubing Polycarbonate Cover 5 to 1 Ratio No Driver
PMST664	24-40 VDC Stepper Motor Pump with Driver with Multiflex Rotor for 1/16, 3/32, and 1/8 Wall Tubing Polycarbonate Cover 5 to 1 Ratio

### Common Options

- Any of our pump head configurations and motor options can be incorporated in the LAB version
- 240 VAC Input
- Multiflex Rotor allows use of 1/16" to 1/8" Wall Thickness Tubing
- Tethered on/off switch
- Tethered on/off switch with flow control
- Precision digital potentiometer for applications requiring repeatable flow rates



**PO BOX 677 Manor PA 15665 724 864 5959**

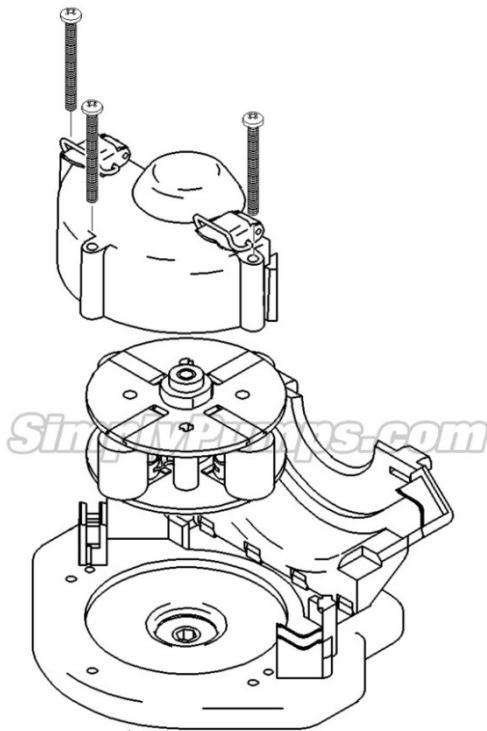
Specifications are subject to change without notice. No liability or warranty implied by this information. Copyright © 2017 Simply Pumps  
Revised 1/21/17 R1

# data sheet

# model PM6000LAB

# PERImax pump series™

Tube Set Part Number				
Stock Tubing Materials	All Versions of the PM600 Pump			
Norprene® Food Grade	TS600F	NA	NA	TS606F
Norprene® Industrial	TS600N	TS6832N	TS6532N	TS606N
Prothane II™	TS600P	Special Order		TS606P
Tygon® Fuel and Lubricant	TS600T	NA	NA	NA
Versilic® Silicone	TS600S	TS6832S	TS6532S	TS606S
Viton®	TS600V	NA	NA	TS606V
Vytex® Clear Polyvinyl	TS600Y	Special Order		TS606Y
<i>All Tube Sets Include Straight Tube Couplers</i>	<b>3/8 x 5/8</b>	<b>3/8 x 9/16</b>	<b>5/16 x 1/2</b>	<b>1/4 x 1/2</b>
	<b>Tubing ID x OD</b>			



Norprene, Tygon, Tygoprene, and Versilic are registered trademarks of Saint-Gobain Performance Plastics. Viton is a registered trademark of DuPont Performance Elastomers LLC. Vytex and Prothane II are trademarks of Randolph Austin Company



**PO BOX 677 Manor PA 15665 724 864 5959**

Specifications are subject to change without notice. No liability or warranty implied by this information. Copyright © 2017 Simply Pumps  
Revised 1/21/17 R1