

# data sheet model PMB310

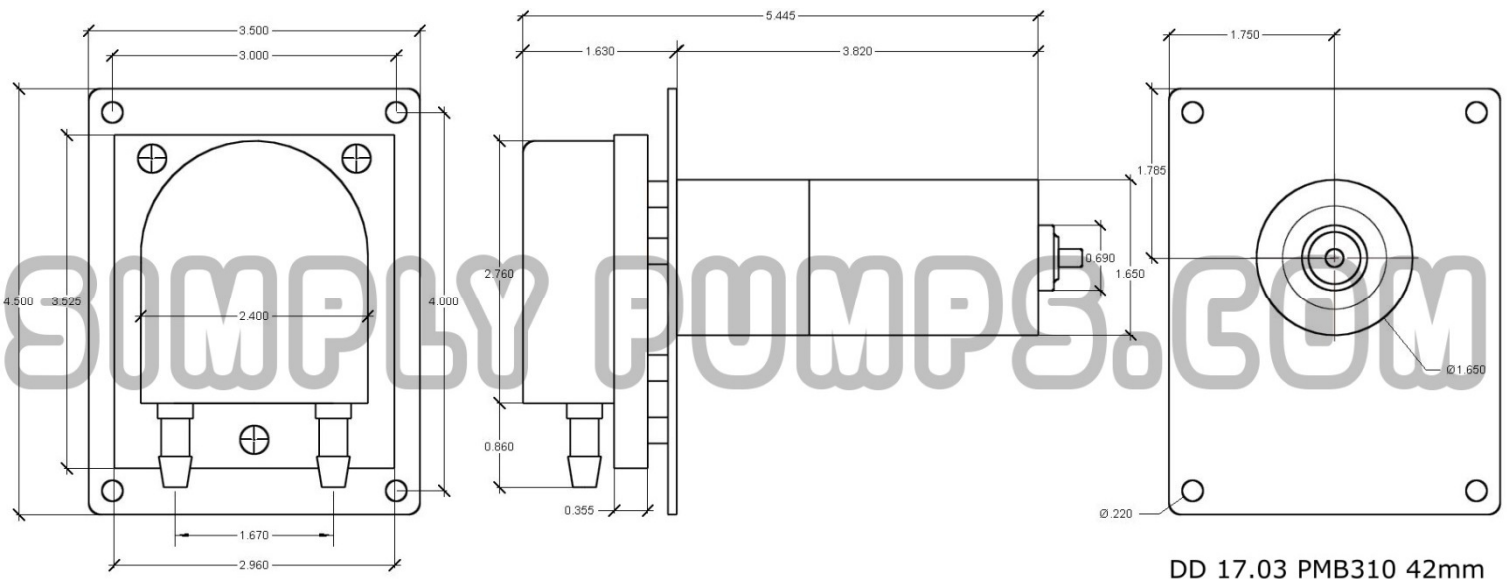
# PERImax pump series™

## Features

- Robust OEM 2 roller, panel mount design
- Long life brushless motor, planetary gearbox
- Perfect for dosing, dispensing and metering
- Excellent dry running characteristics
- Self-priming, can pump fluid and gas/air
- External variable speed controller
- Industrial grade, made in the USA
- Fluid only contacts the inside of the tubing
- Easily replace tube set in minutes
- Pumps extremely hot or cold fluids
- Large selection of options and variations
- Can pump slurries with high particulate content
- Compatible with many chemicals and aggressive fluids
- 9 tubing materials in stock to match your application
- See our BMC36.15A data sheet for details about the controller



## Dimensions



**SimplyPumps.com**

**724-864-5959**

# data sheet

## model PMB310



### Specifications

- 12 VDC - 1.25 amps - 15 watt
- Maximum flow rate: 1400 ml/min
- Maximum psi for firm tubing: 25
- Maximum psi for soft tubing: 10
- Maximum suction lift: 20 feet
- Dimensions: 5.750 x 3.500 x 4.500 inches
- Weight: 34.0 ounces
- Use with 0.250 inch or 0.187 inch ID tubing



The tubing type, fluid viscosity, and back pressure will determine actual flow rate, psi and current consumption.

Stock Tubing Materials	Simply Pumps Suffix	Durometer Rating	Temperature Range °F		Coupler Material
			Low	High	
Norprene® Food Process A-60F	F	61	-75	275	Polypropylene
Norprene® Industrial Grade A-60G	N	61	-75	275	Polypropylene
Norprene® Chemical	C	61	-75	165	PVDF (Kynar)
Prothane II™	P	70	-35	175	PVDF (Kynar)
Tygon® Fuel and Lubricant F-4040-A	T	57	0	165	Polypropylene
Tygoprene® XL-60	G	60	-87	250	Polypropylene
Tygon® Long Flexible Life	E	56	-51	165	Polypropylene
Tygon S3™ E-3603 Laboratory	L	56	-51	165	Polypropylene
Versilic® Silicone SPX-50	S	50	-75	350	Polypropylene
Soft Viton® High Temperature	V	60	-25	400	PVDF (Kynar)
Vytex™ Clear Polyvinyl	Y	60	-60	160	Polypropylene

*Norprene, Tygon, Tygoprene, and Versilic are registered trademarks of Saint-Gobain Performance Plastics. Viton is a registered trademark of DuPont Performance Elastomers LLC. Vytex and Prothane II are trademarks of Randolph Austin Company*



### Tube Set Part Numbers

Stock Tubing Materials	For all versions of our PM300 and PM3000 pumps	
	1/4 x 3/8	3/16 x 5/16
Tubing ID x OD		
Norprene® Food Process A-60F	TS300F	TS303F
Norprene® Industrial Grade A-60G	TS300N	TS303N
Norprene® Chemical	TS300C	TS303C
Prothane II™	TS300P	Special Order
Tygon® Fuel and Lubricant F-4040-A	TS300T	TS303T
Tygoprene® XL-60	TS300G	TS303G
Tygon® Long Flexible Life	TS300E	TS303E
Tygon S3™ E-3603 Laboratory	TS300L	TS303L
Versilic® Silicone SPX-50	TS300S	TS303S
Soft Viton® High Temperature	TS300V	TS303V
Vytex™ Clear Polyvinyl		Special Order

# SimplyPumps.com

## 724-864-5959

Specifications are subject to change without notice. No liability or warranty implied by this information.

Copyright © 2018 Simply Pumps Revised 9/14/18 R1