

data sheet

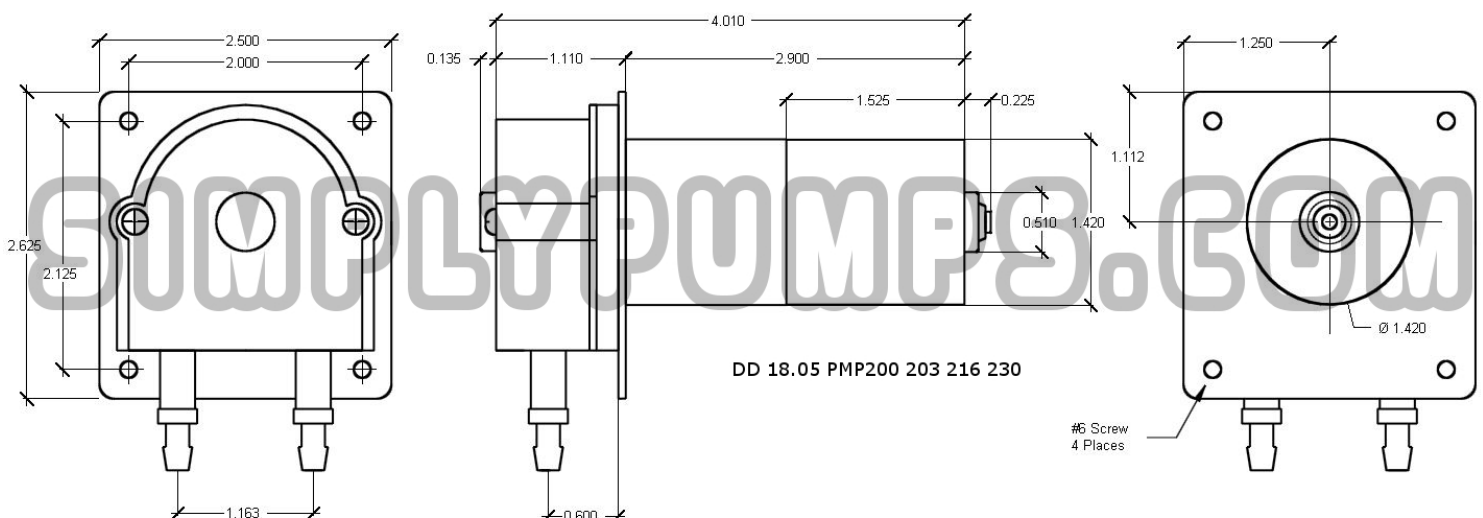
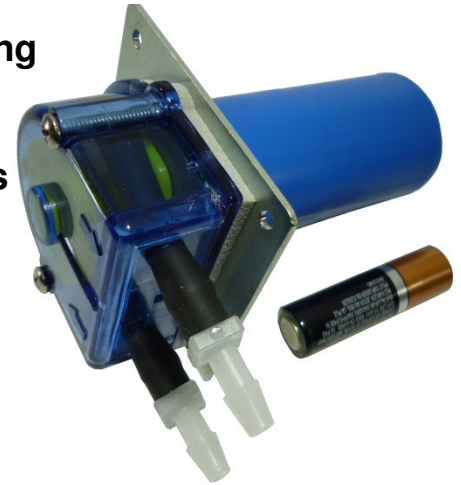
model PMP203

PERImax

pump series™

Features

- Low cost solution for light duty dispensing and metering
- Robust planetary gear box, 3 roller OEM design
- 9 tubing materials in stock to match your application
- Compatible with many chemicals and aggressive fluids
- Can pump slurries with high particulate content
- Pump head is factory sealed/welded
- Self-priming, panel mount, made in the USA
- Variable speed using our VFC3 flow controller
- Excellent dry running characteristics
- Fluid only contacts the inside of the tubing
- Many options and variations



Specifications

- 12 VDC - 1.00 amp - 12 watt
- Maximum flow rate: 170 ml/min
- Maximum psi for firm tubing: 25
- Maximum psi for soft tubing: 10
- Maximum suction lift: 15 feet
- Dimensions: 4.000 x 2.625 x 2.500 inches
- Weight: 12.3 ounces
- Use with 0.125 inch ID tubing

The tubing type, fluid viscosity, and back pressure will determine actual flow rate, psi and current consumption. Not suitable for hot fluids or for high or continuous duty cycles.

SimplyPumps.com™

724-864-5959

data sheet

model PMP203

PERImax

pump series™

| Stock Tubing Materials | Simply Pumps Suffix | Durometer Rating | Temperature Range °F | | Coupler Material |
|------------------------------------|---------------------|------------------|----------------------|------|------------------|
| | | | Low | High | |
| Norprene® Food Process A-60F | F | 61 | -75 | 275 | Polypropylene |
| Norprene® Industrial Grade A-60G | N | 61 | -75 | 275 | Polypropylene |
| Norprene® Chemical | C | 61 | -75 | 165 | PVDF (Kynar) |
| Prothane II™ | P | 70 | -35 | 175 | PVDF (Kynar) |
| Tygon® Fuel and Lubricant F-4040-A | T | 57 | 0 | 165 | Polypropylene |
| Tygoprene® XL-60 | G | 60 | -87 | 250 | Polypropylene |
| Tygon® Long Flexible Life | E | 56 | -51 | 165 | Polypropylene |
| Tygon S3™ E-3603 Laboratory | L | 56 | -51 | 165 | Polypropylene |
| Versilic® Silicone SPX-50 | S | 50 | -75 | 350 | Polypropylene |
| Soft Viton® High Temperature | V | 60 | -25 | 400 | PVDF (Kynar) |

Replacement Pump Head Part Numbers

| Stock Tubing Materials | 200 | 203 | 216 | 232 | 233 | 235 |
|---|-----------------------|------------------|--------------------|--------------------|--------------------|--------------------|
| Norprene® Food Process A-60F | PMPH200F | PMPH203F | PMPH216F | PMPH232F | NA | NA |
| Norprene® Industrial Grade A-60G | PMPH200N | PMPH203N | PMPH216N | NA | NA | NA |
| Norprene® Chemical | NA | PMPH203C | NA | NA | NA | NA |
| Tygon® Fuel and Lubricant F-4040-A | NA | PMPH203T | NA | NA | NA | NA |
| Tygoprene® XL-60 | PMPH200G | PMPH203G | NA | NA | NA | NA |
| Tygon® Long Flexible Life | PMPH200E | PMPH203E | NA | NA | NA | NA |
| Tygon S3™ E-3603 Laboratory | PMPH200L | PMPH203L | NA | NA | PMPH233L | PMPH235L |
| Versilic® Silicone SPX-50 | PMPH200S | PMPH203S | PMPH216S | NA | NA | NA |
| Soft Viton® High Temperature | PMPH200V | PMPH203V | PMPH216V | NA | NA | NA |
| Sealed replacement 200 series pump heads with tubing installed | 3/16 x 5/16 | 1/8 x 1/4 | 1/16 x 3/16 | 1/32 x 5/32 | 3/32 x 7/32 | 5/32 x 9/32 |
| | Tubing ID x OD | | | | | |



Norprene, Tygon, Tygoprene, and Versilic are registered trademarks of Saint-Gobain Performance Plastics. Viton is a registered trademark of DuPont Performance Elastomers LLC. Vytex and Prothane II are trademarks of Randolph Austin Company

SimplyPumps.com™

724-864-5959

Specifications are subject to change without notice. No liability or warranty implied by this information.
Copyright © 2018 Simply Pumps Revised 3/20/19 R3