

# data sheet

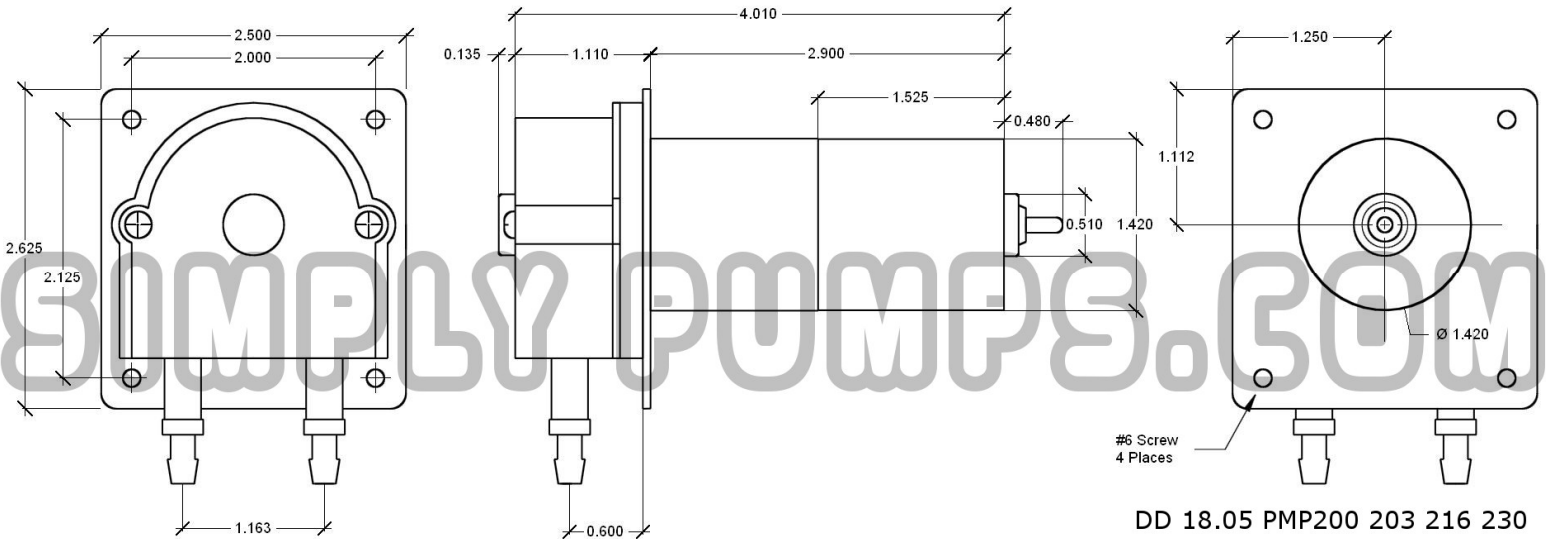
## model PMP230

# PERIMax

## pump series™

### Features

- Low cost solution for light duty dispensing and metering
- Robust planetary gear box, 3 roller OEM design
- Compatible with many chemicals and aggressive fluids
- Can pump slurries with high particulate content
- Pump head is factory sealed/welded
- Self-priming, panel mount, made in the USA
- Variable speed using our VFC3 flow controller
- Excellent dry running characteristics
- Fluid only contacts the inside of the tubing
- Many options and variations



### Specifications

- Flow rates: PMP232 – 10 ml/min, PMP233 - 100 ml/min, PMP235 – 280 ml/min
- Dimensions: 4.000 x 2.625 x 2.500 inches
- 12 VDC - 1.00 amp - 12 watt
- Maximum psi for firm tubing: 25
- Maximum psi for soft tubing: 10
- Maximum suction lift: 15 feet
- Weight: 12.3 ounces

The tubing type, fluid viscosity, and back pressure will determine actual flow rate, psi and current consumption. Not suitable for hot fluids or for high or continuous duty cycles.



**PO BOX 677 Manor PA 15665 724 864 5959**

Specifications are subject to change without notice. No liability or warranty implied by this information. Copyright © 2018 Simply Pumps  
Revised 3/18/18 R2

# data sheet model PMP230

# PERImax pump series™

Stock Tubing Materials	Simply Pumps Suffix	Durometer Rating	Temperature Range °F		Coupler Material
			Low	High	
Norprene® Food Process A-60F	F	61	-75	275	Polypropylene
Norprene® Industrial Grade A-60G	N	61	-75	275	Polypropylene
Norprene® Chemical	C	61	-75	165	PVDF (Kynar)
Prothane II™	P	70	-35	175	PVDF (Kynar)
Tygon® Fuel and Lubricant F-4040-A	T	57	0	165	Polypropylene
Tygoprene® XL-60	G	60	-87	250	Polypropylene
Tygon® Long Flexible Life	E	56	-51	165	Polypropylene
Tygon S3™ E-3603 Laboratory	L	56	-51	165	Polypropylene
Versilic® Silicone SPX-50	S	50	-75	350	Polypropylene
Soft Viton® High Temperature	V	60	-25	400	PVDF (Kynar)

## Replacement Pump Head Part Numbers

Stock Tubing Materials	200	203	216	232	233	235
Norprene® Food Process A-60F	PMPH200F	PMPH203F	PMPH216F	PMPH232F	NA	NA
Norprene® Industrial Grade A-60G	PMPH200N	PMPH203N	PMPH216N	NA	NA	NA
Norprene® Chemical	NA	PMPH203C	NA	NA	NA	NA
Tygon® Fuel and Lubricant F-4040-A	NA	PMPH203T	NA	NA	NA	NA
Tygoprene® XL-60	PMPH200G	PMPH203G	NA	NA	NA	NA
Tygon® Long Flexible Life	PMPH200E	PMPH203E	NA	NA	NA	NA
Tygon S3™ E-3603 Laboratory	PMPH200L	PMPH203L	NA	NA	PMPH233L	PMPH235L
Versilic® Silicone SPX-50	PMPH200S	PMPH203S	PMPH216S	NA	NA	NA
Soft Viton® High Temperature	PMPH200V	PMPH203V	PMPH216V	NA	NA	NA
<b>Sealed replacement 200 series pump heads with tubing installed</b>	<b>3/16 x 5/16</b>	<b>1/8 x 1/4</b>	<b>1/16 x 3/16</b>	<b>1/32 x 5/32</b>	<b>3/32 x 7/32</b>	<b>5/32 x 9/32</b>
	<b>Tubing ID x OD</b>					



Norprene, Tygon, Tygoprene, and Versilic are registered trademarks of Saint-Gobain Performance Plastics.

Viton is a registered trademark of DuPont Performance Elastomers LLC. Vytex and Prothane II are trademarks of Randolph Austin Company



**PO BOX 677 Manor PA 15665 724 864 5959**

Specifications are subject to change without notice. No liability or warranty implied by this information. Copyright © 2018 Simply Pumps  
Revised 3/18/18 R2