

data sheet

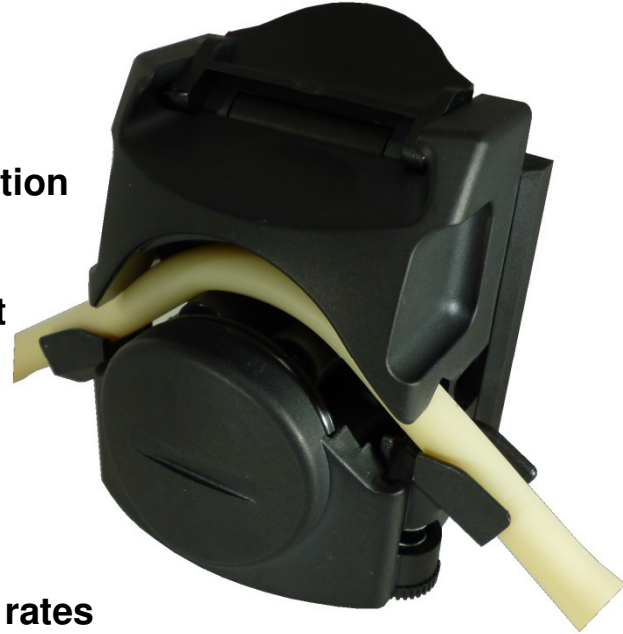
model PMP250

PERImax

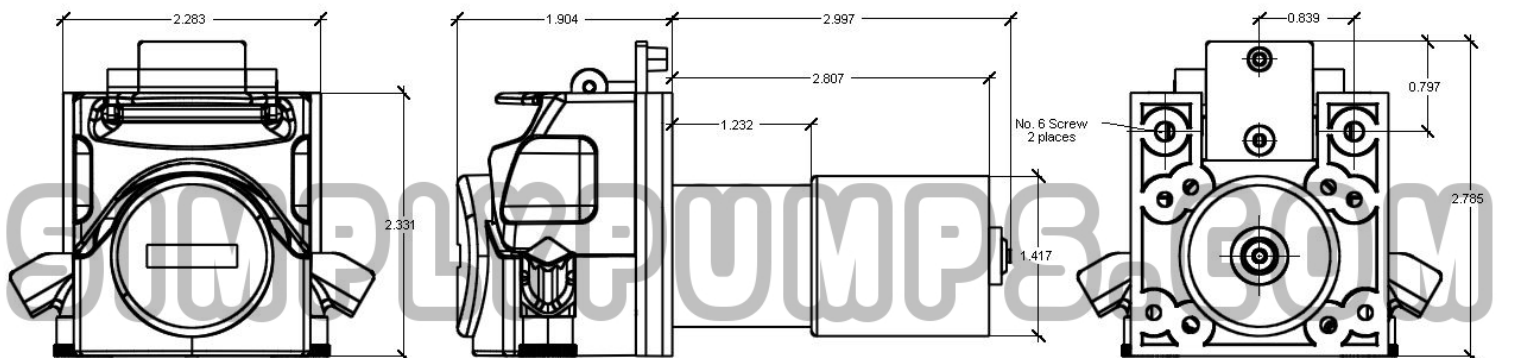
pump series™

Features

- 4 and 6 roller versions
- Heavy duty front and back ball bearings
- Robust planetary gearbox and DC motor
- Accepts 3 common tube sizes without modification
- Perfect for dosing, dispensing and metering
- Change tubing in seconds without tools
- Can pump slurries with high particulate content
- Can pump fluid, gas or air
- Self-priming and designed for panel mounting
- Variable speed using our PWM flow controllers
- Fluid only contacts the inside of the tubing
- Excellent dry running characteristics
- Pumps hot or cold fluids
- Large selection of options including lower flow rates
- Compatible with many chemicals and aggressive fluids
- 24 volt motor options and stepper motors are available



Dimensions



DD 18.33 PMP250

SimplyPumps.com™

724-864-5959

data sheet model PMP250

PERImax pump series™

Specifications

- 12 VDC - 1.25 amps - 15 watt
- See chart below for estimated flow rate
- Maximum psi for firm tubing: 25
- Maximum psi for soft tubing: 10
- Maximum suction lift: 20 feet
- Dimensions: 4.900 x 3.200 x 2.785 inches
- Weight: 14.3 ounces
- Compatible 1/16 inch wall tubing sizes:
 - 1/16 (0.0625) inch ID our tubing number FT216
 - 1/8 (0.125) inch ID our tubing number FT203
 - 3/16 (1.875) inch ID our tubing number FT200



The tubing type and size, fluid viscosity, number of rollers, and back pressure will determine actual flow rate, psi and current consumption.

Estimated Flow in ml/min for soft tubing

Tube ID	Our No	4 Roller	6 Roller
1/16	FT216	60	50
1/8	FT203	240	192
3/16	FT200	400	320

Estimated Flow in ml/min for firm tubing

Tube ID	Our No	4 Roller	6 Roller
1/16	FT216	38	35
1/8	FT203	145	120
3/16	FT200	265	200



SimplyPumps.com™

724-864-5959