

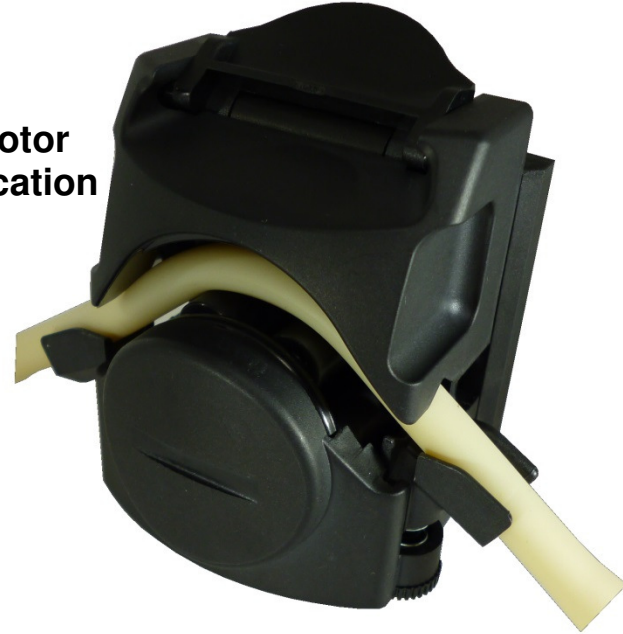
data sheet

model PMST2517

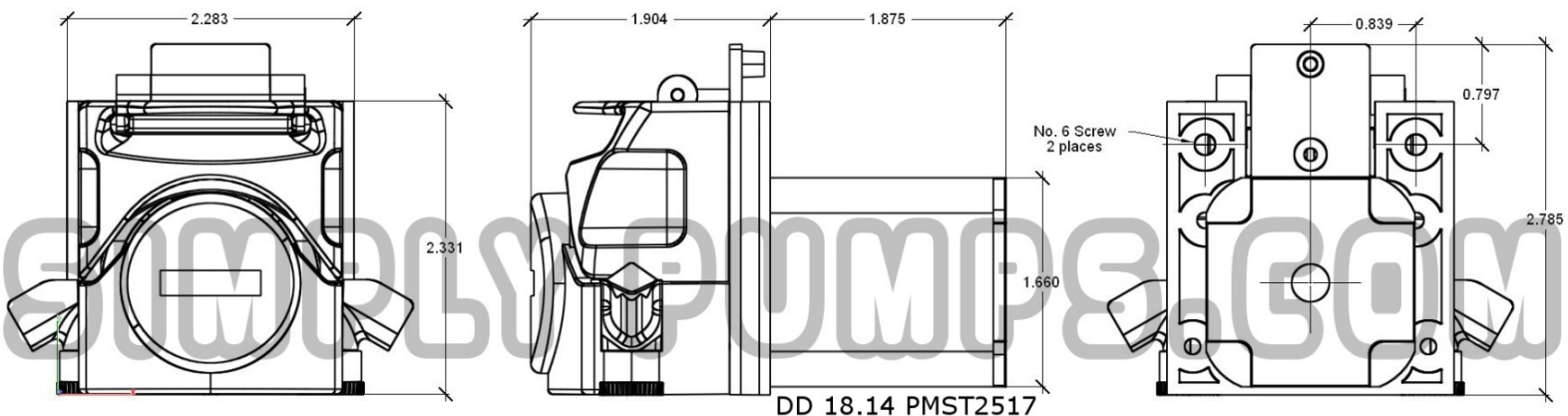
PERImax pump series™

Features

- 4 and 6 roller versions
- Heavy duty front and back ball bearings
- Robust direct drive 12 VDC NEMA 17 stepper motor
- Accepts 3 common tubing sizes without modification
- Perfect for dosing, dispensing and metering
- Change tubing in seconds without tools
- Can pump slurries with high particulate content
- Can pump fluid, gas or air
- Self-Priming and designed for panel mounting
- Variable Speed using a simple potentiometer
- Variable Speed using 0-5 VDC Analog Signal
- Fluid only contacts the inside of the tubing
- Excellent dry running characteristics
- Pumps extremely hot or cold fluids
- Large selection of options and modifications
- Compatible with many chemicals and aggressive fluids
- Sold with or without compatible driver circuit



Dimensions



PO BOX 677 Manor PA 15665 724 864 5959

Specifications are subject to change without notice. No liability or warranty implied by this information. Copyright © 2018 Simply Pumps

Revised 3/1/18 R1

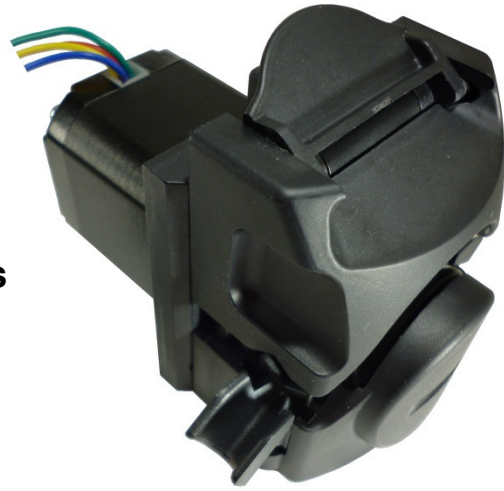
data sheet

model PMST2517

PERimax pump series™

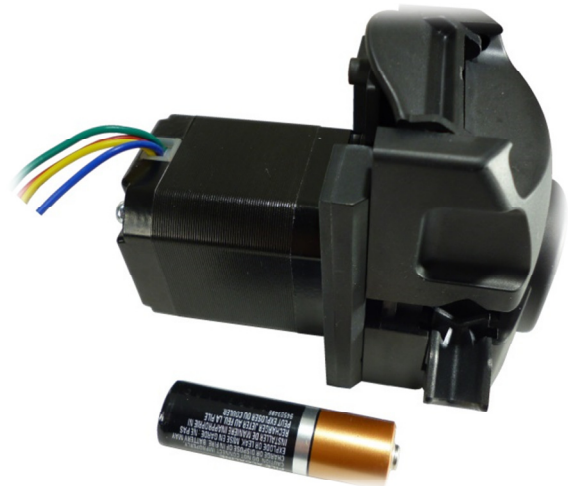
Specifications

- 12 VDC - 2.00 amps - 24 watt
- See Chart below for estimated flow rate
- Maximum 25 PSI
- Maximum Suction Lift: 20 feet
- Dimensions: 3.800 x 3.250 x 2.800 inches
- Weight: 19 ounces



Generally, stepper motor driven pumps work best in very low flow applications. For this reason, the flow rates in the chart below are given in milliliters per revolution. The motor controller, tubing type and size, fluid viscosity, number of rollers, and back pressure will determine actual flow rate, psi and current consumption.

Tubing ID	Tubing OD	Our Tubing Part No	Flow Rate ml/rev
0.02	0.145	FT020	0.04
1/16 (0.0625)	3/16 (0.1875)	FT216	0.19
1/8 (0.125)	1/4 (0.2500)	FT203	0.66



PO BOX 677 Manor PA 15665 724 864 5959

Specifications are subject to change without notice. No liability or warranty implied by this information. Copyright © 2018 Simply Pumps
Revised 3/1/18 R1