

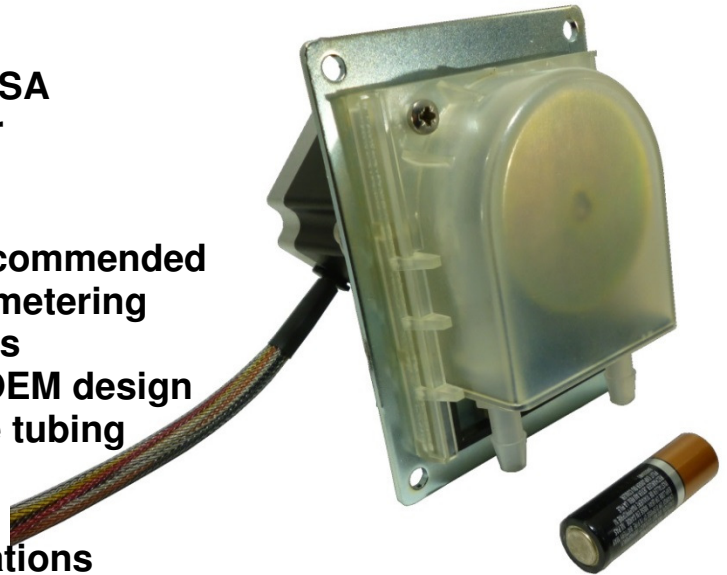
data sheet

model PMST310

PERImax pump series™

Features

- Panel mount version, made in the USA
- NEMA 23 high torque stepper motor
- 1.8° Step Angle - 8 lead motor
- CE Certified RoHS Compliant motor
- Minimum 24 VDC supply voltage recommended
- Perfect for dosing, dispensing and metering
- Excellent dry running characteristics
- Industrial grade, quiet direct drive OEM design
- Fluid only contacts the inside of the tubing
- Easily replace tube set in minutes
- Pumps hot or cold fluids
- Large selection of options and variations
- Can pump slurries with high particulate content
- Compatible with many chemicals and aggressive fluids
- 9 tubing materials in stock to match your application
- Stepper motor controller sold separately



Specifications

- 36 VDC - 2.50 amps - 90 watt
- Maximum flow rate and psi: 500 ml/min and 30 psi
- Maximum suction lift: 20 feet
- Dimensions: 3.250 x 4.750 x 3.875 inches
- Weight: 40.0 ounces (excluding controller)
- Use with 0.250 inch or 0.187 inch ID tubing

The tubing type, fluid viscosity, and back pressure will determine actual flow rate, psi and current consumption.

SimplyPumps.com™

724-864-5959

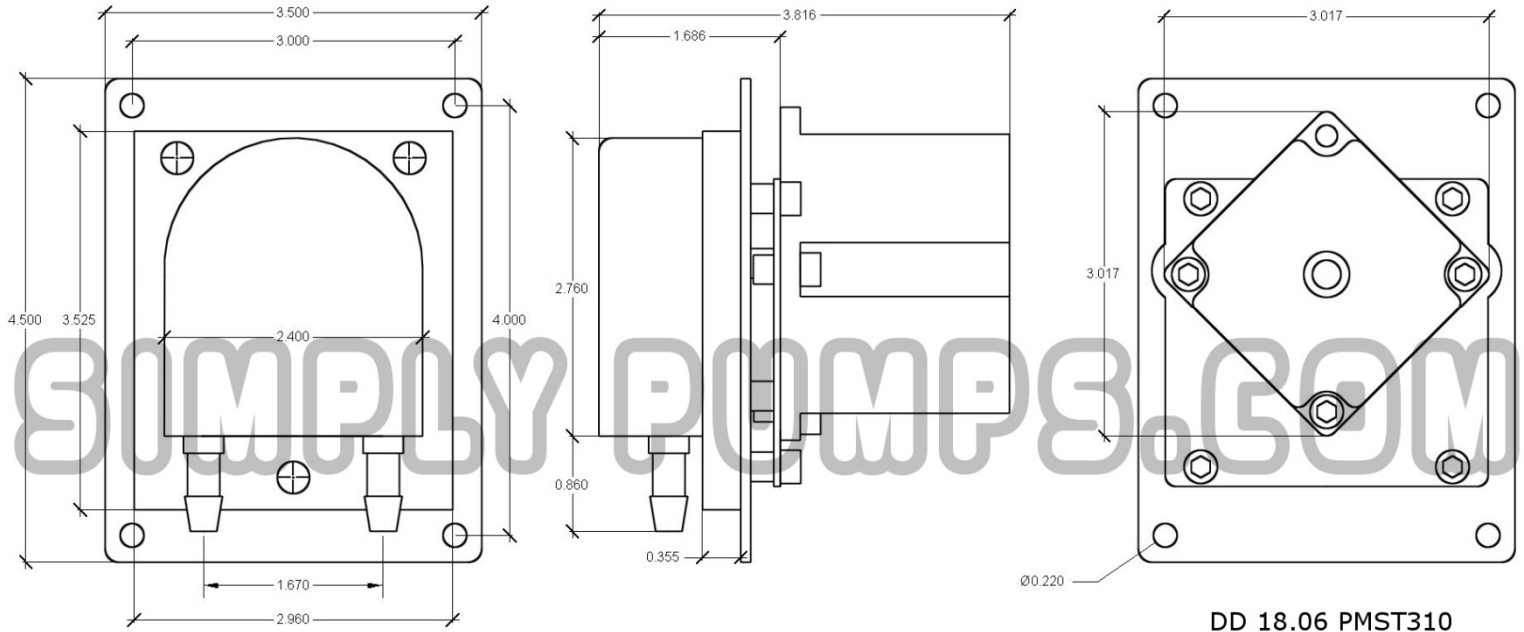
data sheet

model PMST310

PERImax

pump series™

Dimensions



DD 18.06 PMST310

Related Products

- PMST312 Foot Mount 300 Series Stepper Motor Pump with Motor Controller
- PMST310 Panel Mount 300 Series Stepper Pump with Motor Controller
- PSOF36.97 Regulated Power Supply Open Frame 36 VDC 9.7 amp
- PSOF36.88 Regulated Power Supply Open Frame 36 VDC 8.8 amp
- LC18.3 Line Cord 18 AWG for open frame power supply
- FH3AG18 In Line 3AG Fuse Holder for open frame power supply 18 AWG
- TTP103 Ten Turn Potentiometer 10k for variable speed control
- SMC4A Stepper Motor Controller 40 VDC 4 Amp with input for PLC or obtain variable speed control using 10k potentiometer

Simply Pumps™ SimplyPumps.com

724-864-5959

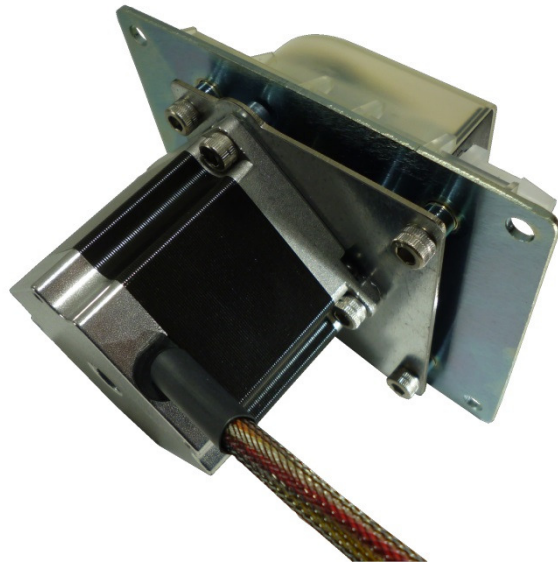
Specifications are subject to change without notice. No liability or warranty implied by this information.
Copyright © 2018 Simply Pumps Revised 9/14/18 R4

data sheet

model PMST310



Stock Tubing Materials	Simply Pumps Suffix	Durometer Rating	Temperature Range °F		Coupler Material
			Low	High	
Norprene® Food Process A-60F	F	61	-75	275	Polypropylene
Norprene® Industrial Grade A-60G	N	61	-75	275	Polypropylene
Norprene® Chemical	C	61	-75	165	PVDF (Kynar)
Prothane II™	P	70	-35	175	PVDF (Kynar)
Tygon® Fuel and Lubricant F-4040-A	T	57	0	165	Polypropylene
Tygoprene® XL-60	G	60	-87	250	Polypropylene
Tygon® Long Flexible Life	E	56	-51	165	Polypropylene
Tygon S3™ E-3603 Laboratory	L	56	-51	165	Polypropylene
Versilic® Silicone SPX-50	S	50	-75	350	Polypropylene
Soft Viton® High Temperature	V	60	-25	400	PVDF (Kynar)
Vytex™ Clear Polyvinyl	Y	60	-60	160	Polypropylene



Tube Set Part Numbers

Stock Tubing Materials	For all versions of our PM300 and PM3000 pumps	
	1/4 x 3/8	3/16 x 5/16
Tubing ID x OD		
Norprene® Food Process A-60F	TS300F	TS303F
Norprene® Industrial Grade A-60G	TS300N	TS303N
Norprene® Chemical	TS300C	TS303C
Prothane II™	TS300P	Special Order
Tygon® Fuel and Lubricant F-4040-A	TS300T	TS303T
Tygoprene® XL-60	TS300G	TS303G
Tygon® Long Flexible Life	TS300E	TS303E
Tygon S3™ E-3603 Laboratory	TS300L	TS303L
Versilic® Silicone SPX-50	TS300S	TS303S
Soft Viton® High Temperature	TS300V	TS303V
Vytex™ Clear Polyvinyl	Special Order	

Norprene, Tygon, Tygoprene, and Versilic are registered trademarks of Saint-Gobain Performance Plastics. Viton is a registered trademark of DuPont Performance Elastomers LLC. Vytex and Prothane II are trademarks of Randolph Austin Company

Simply Pumps™.com

724-864-5959

Specifications are subject to change without notice. No liability or warranty implied by this information.
 Copyright © 2018 Simply Pumps Revised 9/14/18 R4