

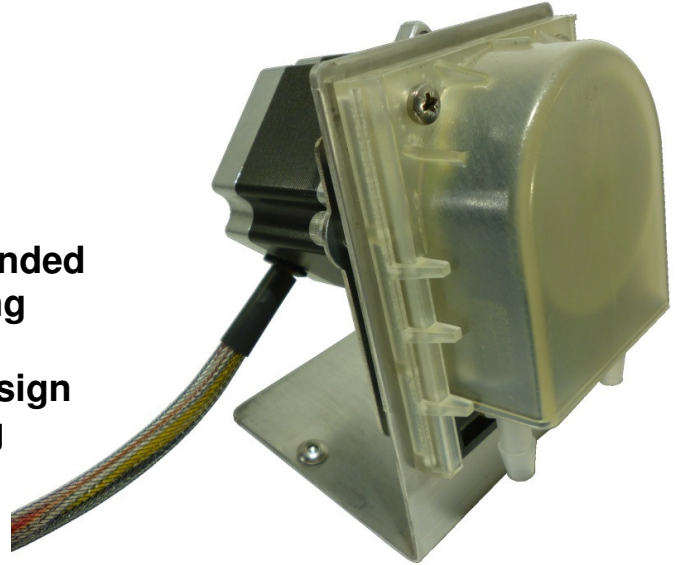
data sheet

model PMST312

PERImax pump series™

Features

- Foot mount version, made in the USA
- NEMA 23 high torque stepper motor
- 1.8° Step Angle - 8 lead motor
- CE Certified RoHS Compliant motor
- Minimum 24 VDC supply voltage recommended
- Perfect for dosing, dispensing and metering
- Excellent dry running characteristics
- Industrial grade, quiet direct drive OEM design
- Fluid only contacts the inside of the tubing
- Easily replace tube set in minutes
- Pumps hot or cold fluids
- Large selection of options and variations
- Can pump slurries with high particulate content
- Compatible with many chemicals and aggressive fluids
- 9 tubing materials in stock to match your application
- Sold with or without stepper motor controller
- Variable speed using PLC or potentiometer with our controller



Specifications

- 36 VDC - 3.50 amps - 126 watt
- Maximum flow rate and psi: 500 ml/min and 30 psi
- Maximum suction lift: 20 feet
- Dimensions: 3.250 x 4.750 x 4.375 inches
- Weight: 45.0 ounces (excluding controller)
- Use with 0.250 inch or 0.187 inch ID tubing

The tubing type, fluid viscosity, and back pressure will determine actual flow rate, psi and current consumption.



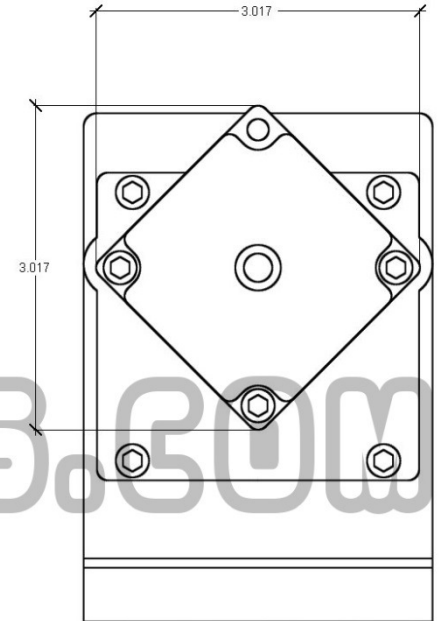
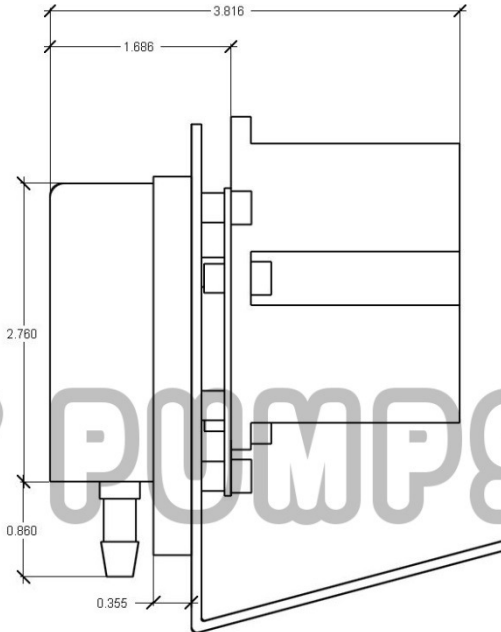
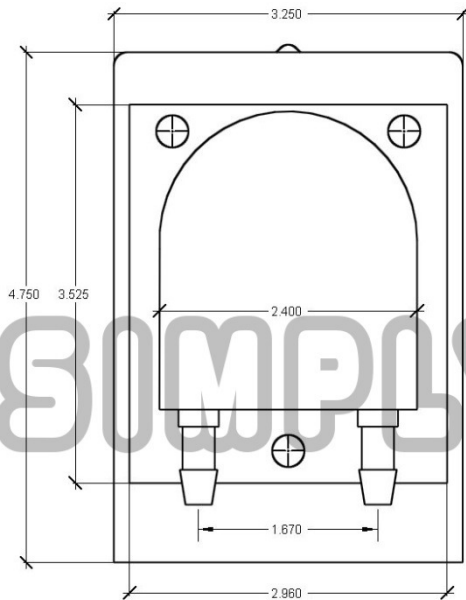
PO BOX 677 Manor PA 15665 724 864 5959

Specifications are subject to change without notice. No liability or warranty implied by this information. Copyright © 2018 Simply Pumps
Revised 2/24/18 R2

data sheet model PMST312

PERImax pump series™

Dimensions



DD 18.07 PMST312

Related Products

- PMST312 Foot Mount 300 Series Stepper Motor Pump with Motor Controller
- PMST310 Panel Mount 300 Series Stepper Pump with Motor Controller
- PSOF36.97 Regulated Power Supply Open Frame 36 VDC 9.7 amp
- PSOF36.88 Regulated Power Supply Open Frame 36 VDC 8.8 amp
- LC18.3 Line Cord 18 AWG for open frame power supply
- FH3AG18 In Line 3AG Fuse Holder for open frame power supply 18 AWG
- TTP103 Ten Turn Potentiometer 10k for variable speed control
- SMC4A Stepper Motor Controller 40 VDC 4 Amp with input for PLC or obtain variable speed control using 10k potentiometer



PO BOX 677 Manor PA 15665 724 864 5959

Specifications are subject to change without notice. No liability or warranty implied by this information. Copyright © 2018 Simply Pumps
Revised 2/24/18 R2

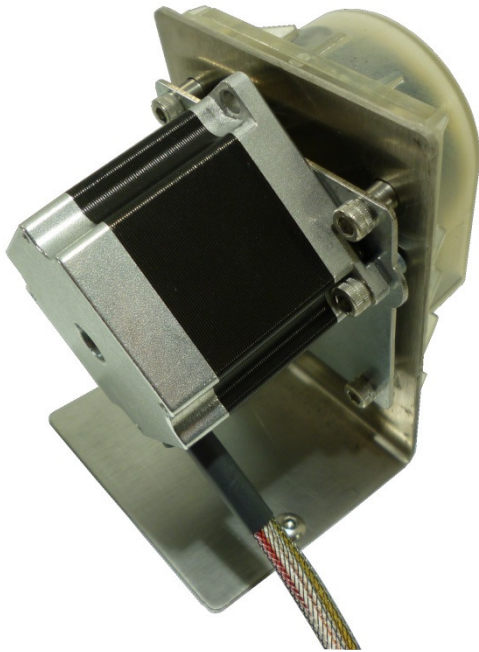
data sheet

model PMST312

PERImax

pump series™

Stock Tubing Materials	Simply Pumps Suffix	Durometer Rating	Temperature Range °F		Coupler Material
			Low	High	
Norprene® Food Process A-60F	F	61	-75	275	Polypropylene
Norprene® Industrial Grade A-60G	N	61	-75	275	Polypropylene
Norprene® Chemical	C	61	-75	165	PVDF (Kynar)
Prothane II™	P	70	-35	175	PVDF (Kynar)
Tygon® Fuel and Lubricant F-4040-A	T	57	0	165	Polypropylene
Tygotrene® XL-60	G	60	-87	250	Polypropylene
Tygon® Long Flexible Life	E	56	-51	165	Polypropylene
Tygon S3™ E-3603 Laboratory	L	56	-51	165	Polypropylene
Versilic® Silicone SPX-50	S	50	-75	350	Polypropylene
Soft Viton® High Temperature	V	60	-25	400	PVDF (Kynar)
Vytex™ Clear Polyvinyl	Y	60	-60	160	Polypropylene



Tube Set Part Numbers

Stock Tubing Materials	For all versions of our PM300 and PM3000 pumps	
	1/4 x 3/8	3/16 x 5/16
Tubing ID x OD		
Norprene® Food Process A-60F	TS300F	TS303F
Norprene® Industrial Grade A-60G	TS300N	TS303N
Norprene® Chemical	TS300C	TS303C
Prothane II™	TS300P	Special Order
Tygon® Fuel and Lubricant F-4040-A	TS300T	TS303T
Tygotrene® XL-60	TS300G	TS303G
Tygon® Long Flexible Life	TS300E	TS303E
Tygon S3™ E-3603 Laboratory	TS300L	TS303L
Versilic® Silicone SPX-50	TS300S	TS303S
Soft Viton® High Temperature	TS300V	TS303V
Vytex™ Clear Polyvinyl	Special Order	

Norprene, Tygon, Tygotrene, and Versilic are registered trademarks of Saint-Gobain Performance Plastics. Viton is a registered trademark of DuPont Performance Elastomers LLC. Vytex and Prothane II are trademarks of Randolph Austin Company



PO BOX 677 Manor PA 15665 724 864 5959

Specifications are subject to change without notice. No liability or warranty implied by this information. Copyright © 2018 Simply Pumps
Revised 2/24/18 R2