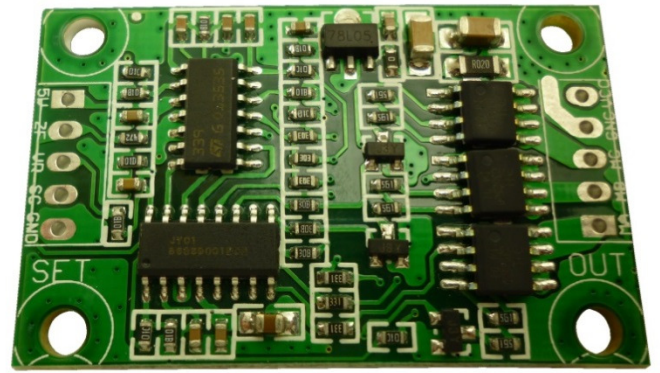


data sheet

model BMC12.3A

Miniature Universal

Brushless Motor Controller



Universal user-friendly driver for sensorless brushless motors

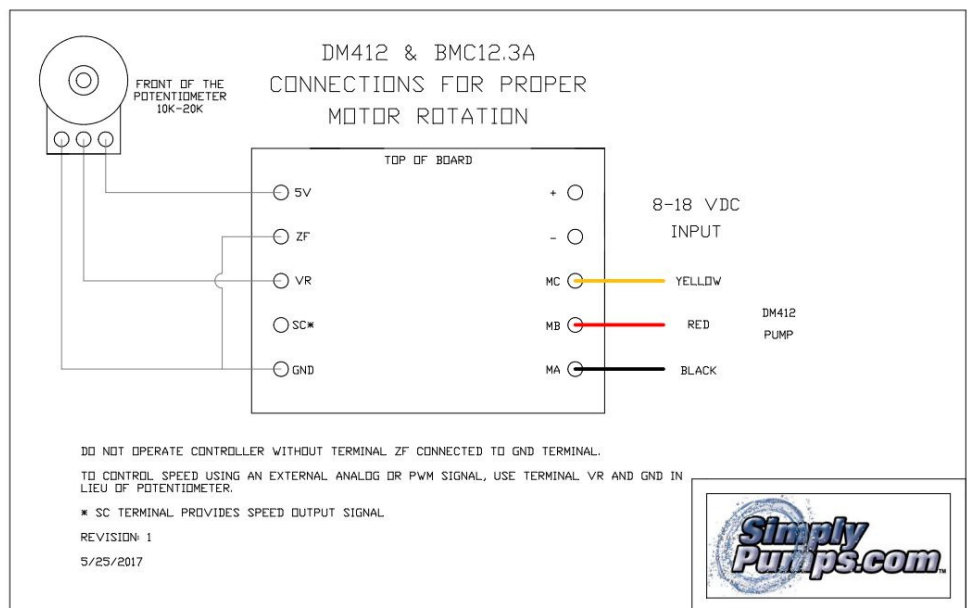
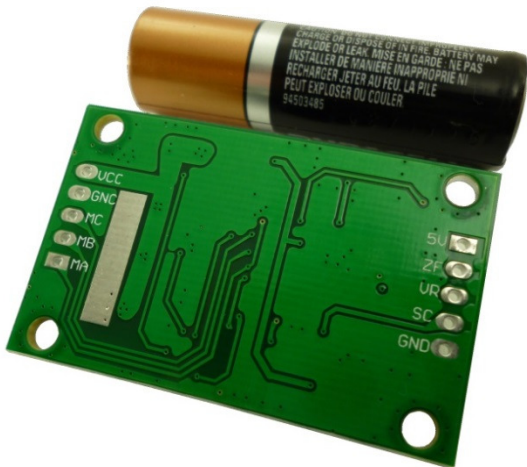
Features

- Control most any three phase (3 wire) sensorless brushless motors
- Control speed with 0 - 5.0 VDC analog, PWM, or 10k-20k potentiometer
- Easily control motor direction CW or CCW
- Soft motor start and stop
- Speed monitoring tachometer output signal if needed
- 1kHz-10kHz PWM signal to terminal VR for external PWM control

Specifications

- 8 to 18 VDC – 3 amp maximum
- Weight: 0.18 ounces
- Dimensions: 1.780 x 1.105 x 0.125 inches

Sample wiring diagram:



PO BOX 677 Manor PA 15665 724 864 5959

Specifications are subject to change without notice. No liability or warranty implied by this information. Copyright © 2017 Simply Pumps
Revised 6/14/17 R2