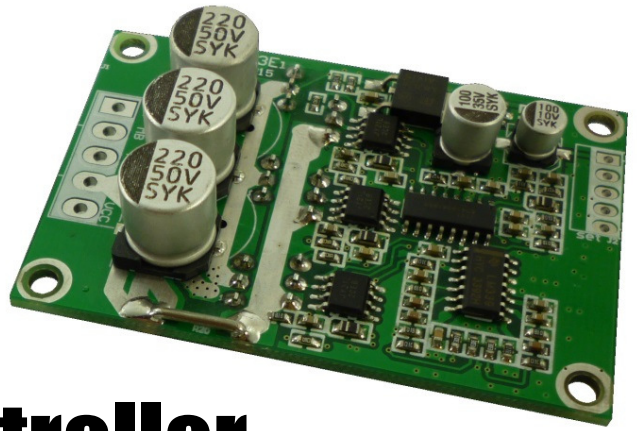


data sheet

models BMC36.15A

Miniature Universal

Brushless Motor Controller



Universal user-friendly driver for sensorless brushless motors

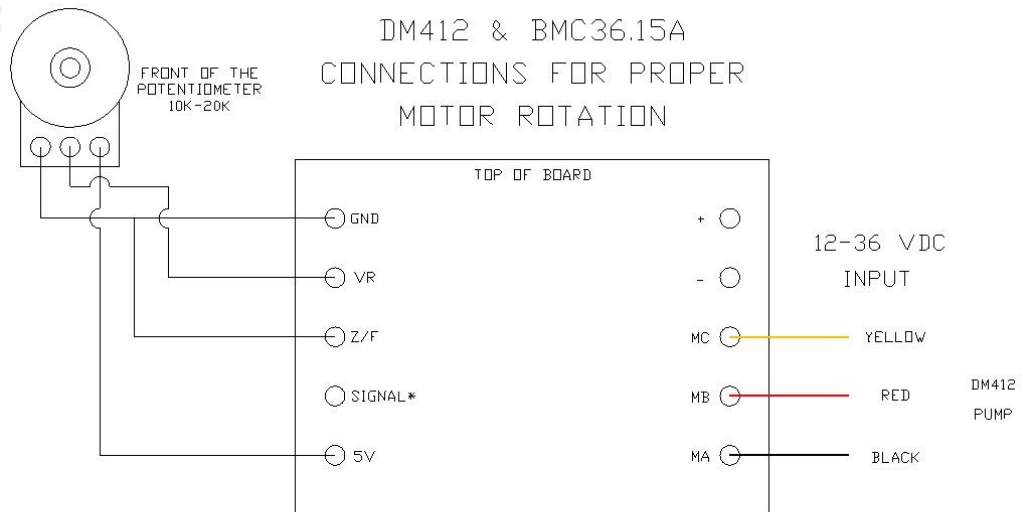
Features

- Control most any three phase (3 wire) sensorless brushless motors
- Control speed with 0 - 5.0 VDC analog, PWM, or 10k-20k potentiometer
- Easily control motor direction CW or CCW
- Soft motor start and stop
- Speed monitoring tachometer output signal if needed
- 1kHz-10kHz PWM signal to terminal VR for external PWM control

Specifications

- 12 to 36 VDC – 15 amp maximum
- Weight: 0.95 ounces
- Dimensions: 2.490 x 1.675 x 0.660 inches

Sample wiring diagram:



DO NOT OPERATE CONTROLLER WITHOUT TERMINAL ZF CONNECTED TO GND TERMINAL.

* SIGNAL TERMINAL PROVIDES SPEED OUTPUT SIGNAL.

PO BOX 677 Manor PA 15665 724 864 5959

Specifications are subject to change without notice. No liability or warranty implied by this information. Copyright © 2017 Simply Pumps
Revised 6/14/17 R2

