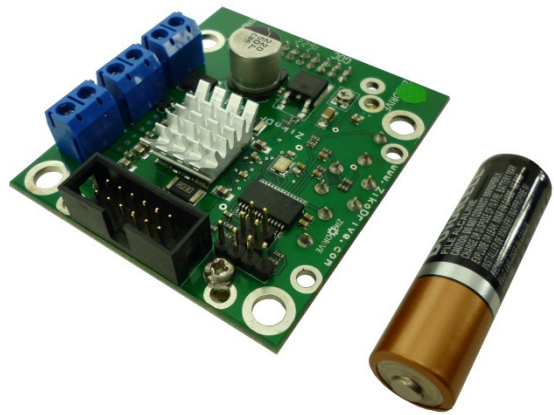


data sheet

model SMC10

Mini Microprocessor Driven Stepper Motor Controller

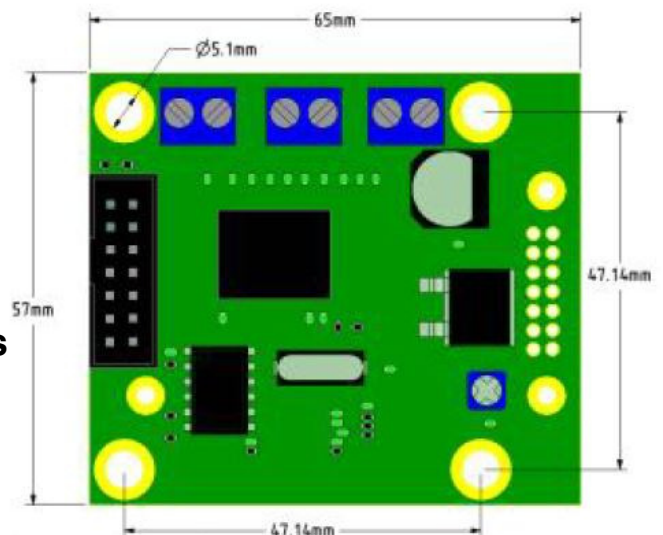
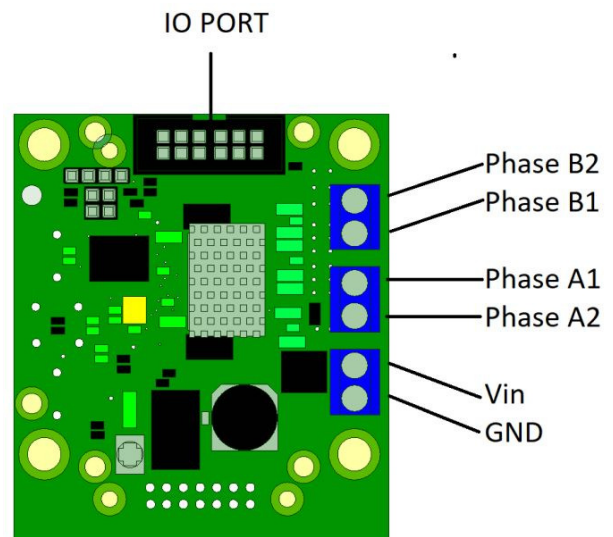


Features

- Simple and user friendly
- Adjustable phase current
- Adjustable 1/128 micro-step resolution
- For motors up to NEMA 24 frame size
- Programmable
- Reverse polarity protection
- Over current protection
- Over heat protection
- Analog input: 0 to 5 VDC
- Custom programming available
- Simple speed control using external potentiometer
- Motor direction and enable using I/O
- Encoder feedback equipped

Specifications

- Input voltage: 12 to 30 VDC
- Max Phase Current: 10 amp adjustable
- Max RPM: 3,000 will vary with motor
- Weight: 1.0 ounces
- Dimensions: 2.565 x 2.250 x 1.000 inches
- 4 protected digital inputs
- 3 unprotected digital IOs
- 1 analog input



SimplyPumps.com

724-864-5959