

data sheet

model SMC2A

SMC4A

SMC8A



Miniature Integrated Stepper Motor Controllers

Features

- Die-cast aluminum enclosure, improved heat dissipation and durability
- 16th micro-stepping
- Dual full H-bridge with PWM constant current control
- Speed control through external potentiometer 0.15 - 1900 RPM
- Speed control through 0 - 5V voltage input 0.15 - 1900 RPM
- Adjustable phase current

Specifications

- SMC2A – UIM243L02 – 10 to 30 VDC – 0 to 2 amp phase current
- SMC4A – UIM243C04 – 10 to 40 VDC – 0 to 4 amp phase current
- SMC8A – UIM243L08 – 10 to 40 VDC – 0 to 8 amp phase current
- Weight: 3.5 ounces
- Dimensions: 1.70 x 1.70 x 0.65 inches

External control voltage

For users want to use an external voltage to control the speed to facilitate the needs such as microprocessor D/A control, UIM243XXB provides a speed control voltage input port. The external control voltage must share the common ground with the UIM243XXB controller. In other words, the ground of the external control voltage must be linked to the terminal 2. In addition, the external control range must between -0.3V and 5.3V. Voltage outside the range will only produce smoke.

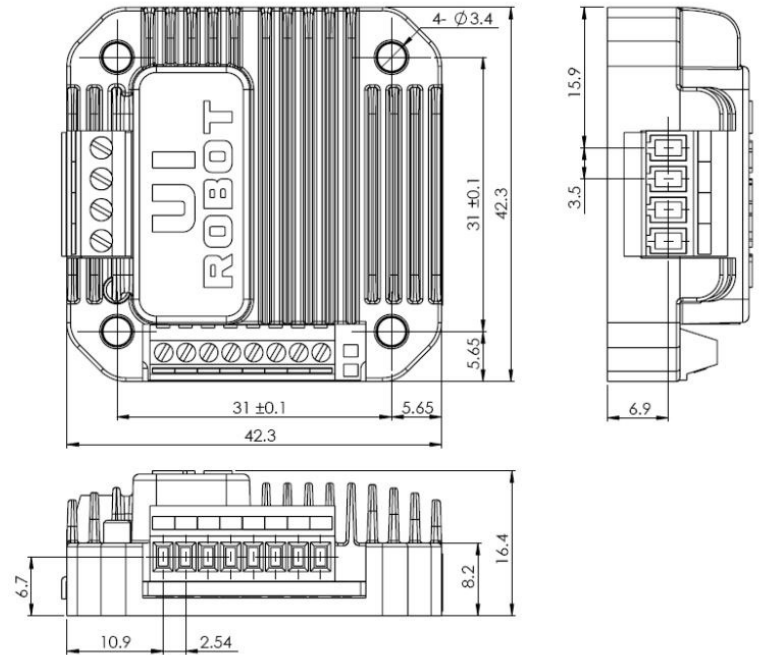
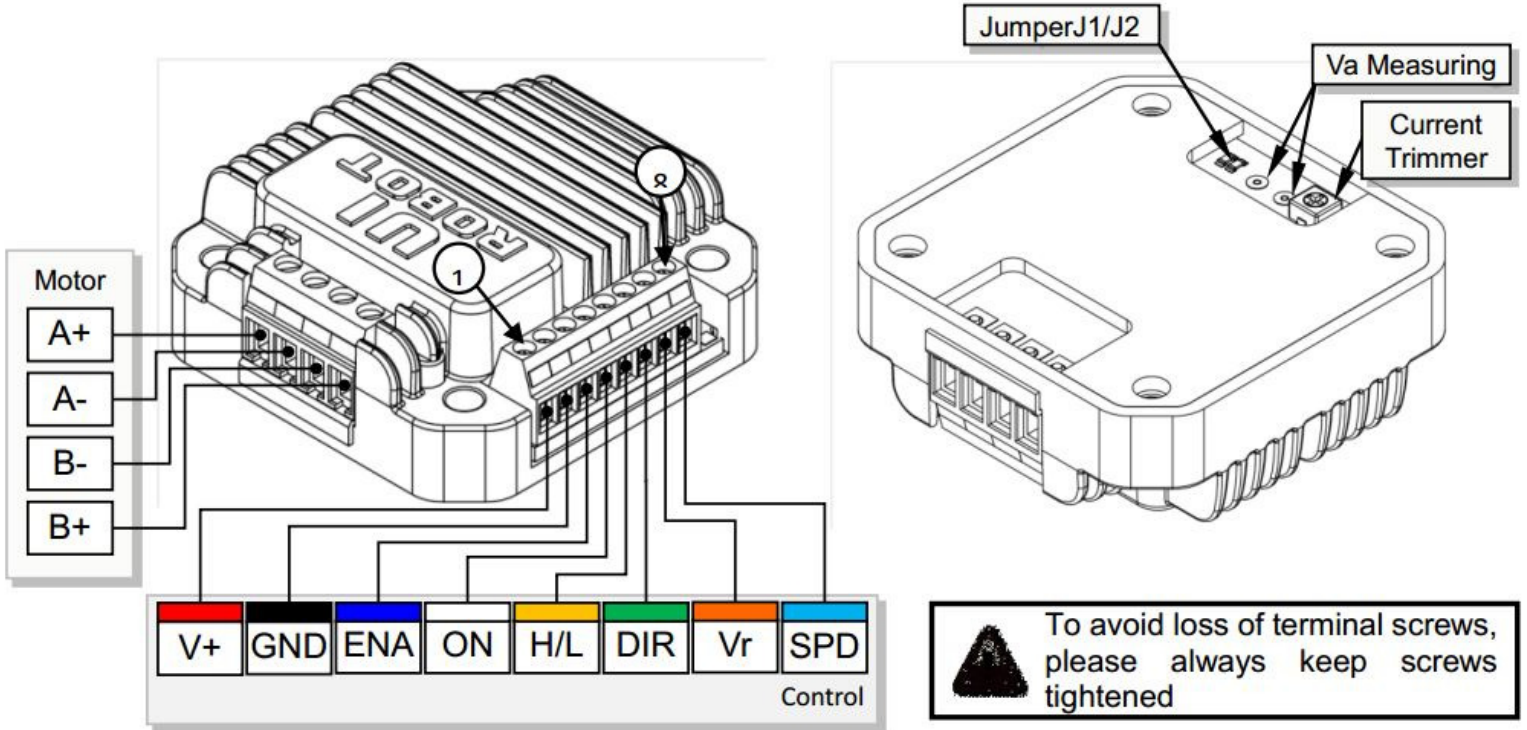


PO BOX 677 Manor PA 15665 724 864 5959

Specifications are subject to change without notice. No liability or warranty implied by this information. Copyright © 2017 Simply Pumps
Revised 1/21/17 R1

data sheet

model SMC2A, SMC4A, SMC8A



Units: mm




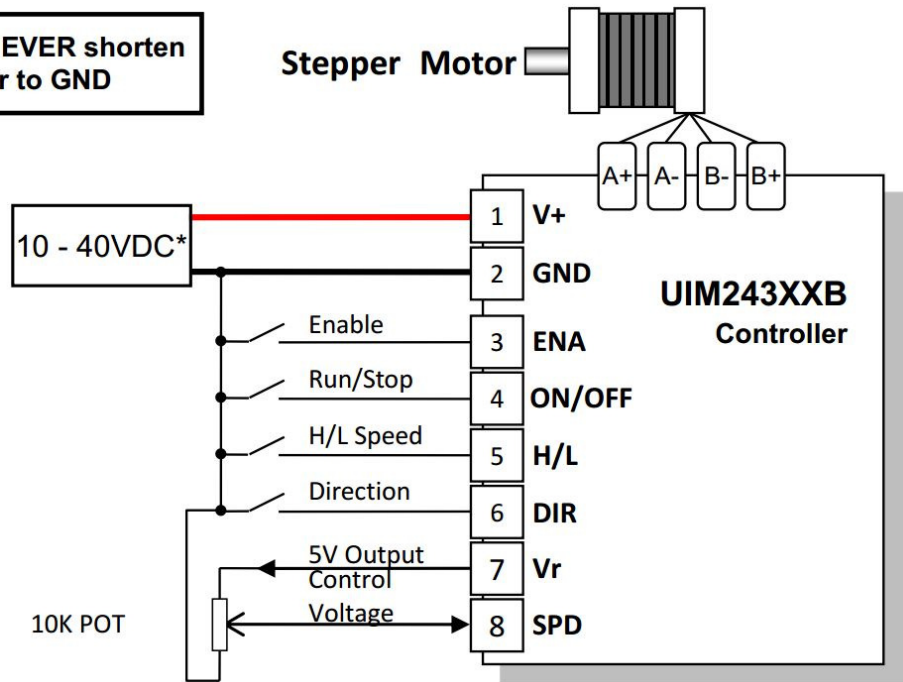
PO BOX 677 Manor PA 15665 724 864 5959


Specifications are subject to change without notice. No liability or warranty implied by this information. Copyright © 2017 Simply Pumps
Revised 1/21/17 R1

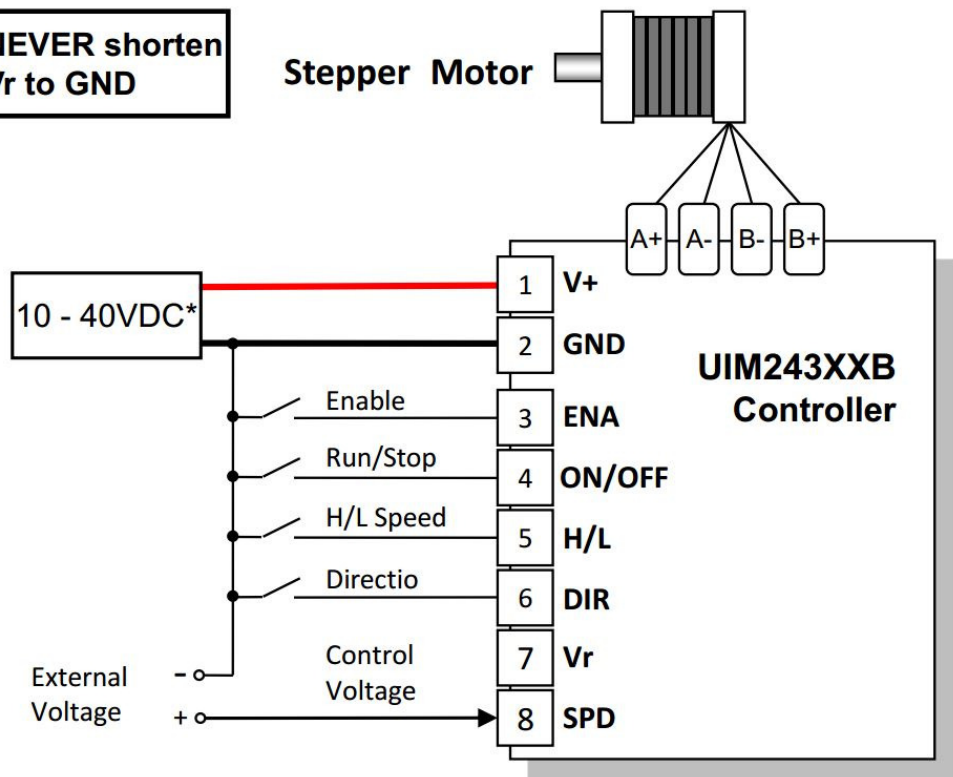
data sheet

model SMC2A, SMC4A, SMC8A

 NEVER shorten Vr to GND



 NEVER shorten Vr to GND



PO BOX 677 Manor PA 15665 724 864 5959

Specifications are subject to change without notice. No liability or warranty implied by this information. Copyright © 2017 Simply Pumps
Revised 1/21/17 R1